



CTU

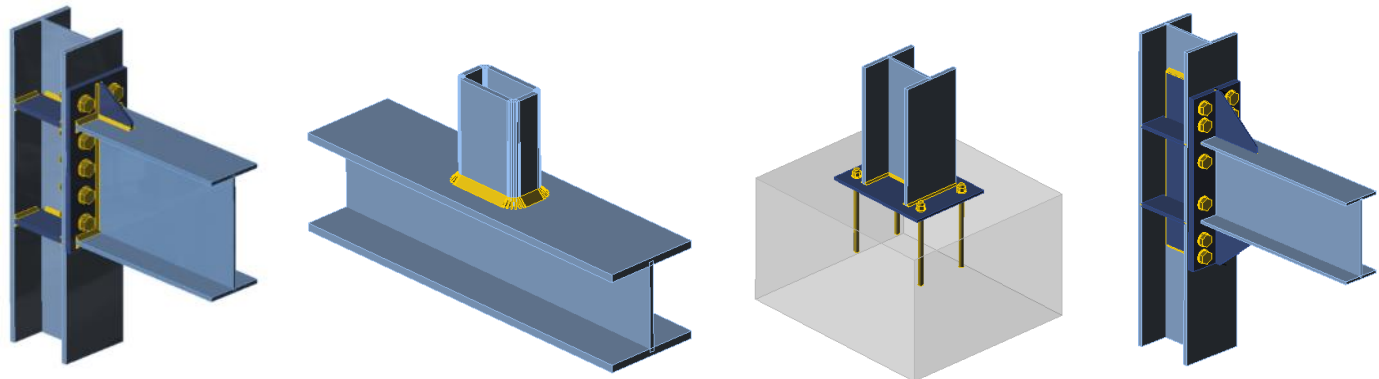
CZECH TECHNICAL
UNIVERSITY
IN PRAGUE

Connection design by Component Based Finite Element Method

**Lecture 3
Column base**

List of lectures

- 1) Beam to column moment connection
- 2) Joint of hollow to open section
- 3) **Column base**
- 4) Seismically qualified joints



Aims and objectives

- Provide information on column base behaviour
- Introduce principles of Component Method (CM) for column base design
- Introduce principles of Component Based Finite Element Method (CBFEM) for column base
- Provide an online training to students and engineers
- Show the process of Validation & Verification
- Offer list of references relevant to the topic

Lecture 3

Column base

**František Wald, Marta Kuříková, Martin Vild
Lubomír Šabatka, Jaromír Kabeláč, Drahoš Kojala**

Tutorial

- This lecture describes principles of **Finite Element Method** of column base by applying the Component Based FEM (CBFEM).
- On the analytical design by **Component Method** is shown the behaviour of base plate exposed to compression and bending
- Validation, Verification and Benchmark cases using **Component based Finite Element Method** are presented.
- Material was prepared under the R&D project MERLION II supported by Technology Agency of the Czech Republic, project No TH02020301.



Outline of the lecture

- **Introduction**
 - Anchor bolts
 - Classification
 - Assessment I
- **Component method**
 - Component in compression
 - Component in tension
 - Assembly of components
 - Assessment II
- **Component Based Finite Element Method**
 - Validation
 - Verification
 - Sensitivity study
 - Benchmark case
 - Assessment III
- **Summary**

Introduction

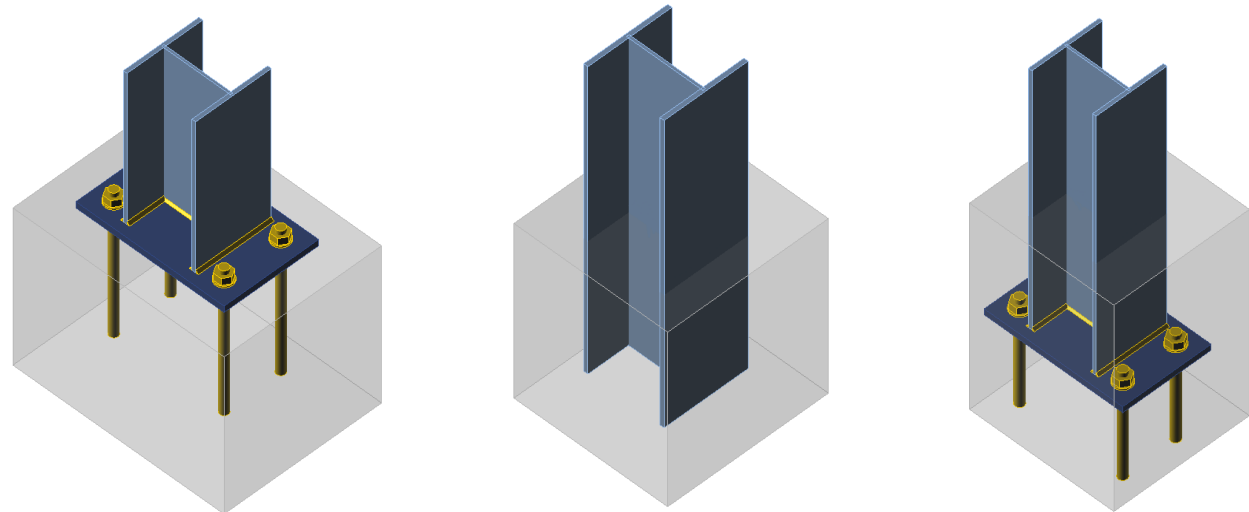
Lecture 3

Column base



Introduction

- Steel structures are fixing to concrete foundation/structure by base plate/end plates, embedding and its combination.
- The aim of this lecture are joints with base plate fixed to concrete structure by anchor bolts.



Introduction

Anchor bolts

Classification

Assessment I

Component meth.

In compression

In tensions

Assembly

Assessment II

CBFEM

Validation

Verification

Sensitivity study

Benchmark case

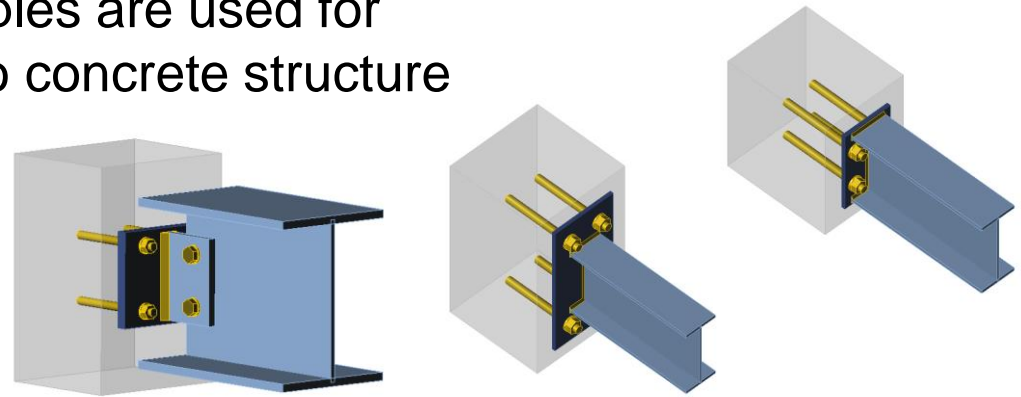
Assessment III

Summary

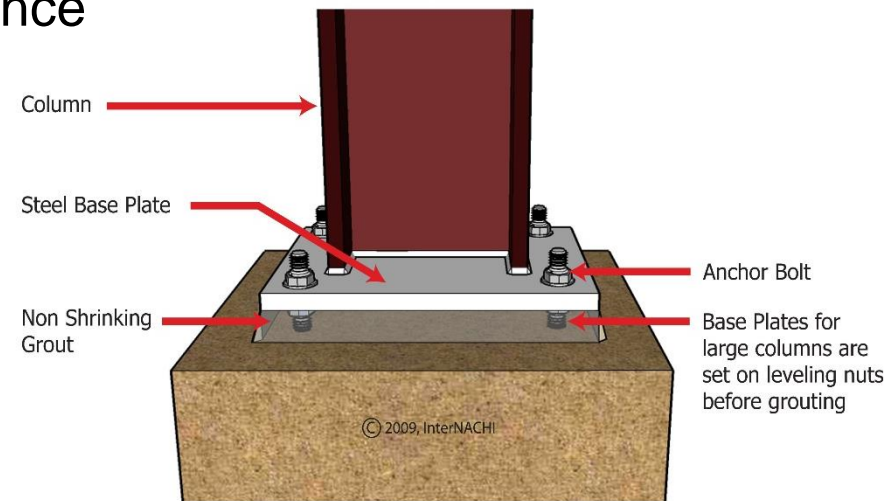


Introduction

- The same principles are used for end plate fixed to concrete structure by anchor bolts.



- The base plate is usually positioned on the concrete block by pickings or levelling nuts and fixed by grout. The erection has no substantial influence to design resistance. If the anchor bolts are designed not embedded (during erection or use) it takes into account in design.



Introduction

Anchor bolts

Classification

Assessment I

Component meth.

In compression

In tensions

Assembly

Assessment II

CBFEM

Validation

Verification

Sensitivity study

Benchmark case

Assessment III

Summary



Design resistance of anchor bolt in tension

Anchor bolts are designed for its resistance in tension according to EN1992-4:2018 for all possible failure modes.

Introduction

Anchor bolts

Classification

Assessment I

Component meth.

In compression

In tensions

Assembly

Assessment II

CBFEM

Validation

Verification

Sensitivity study

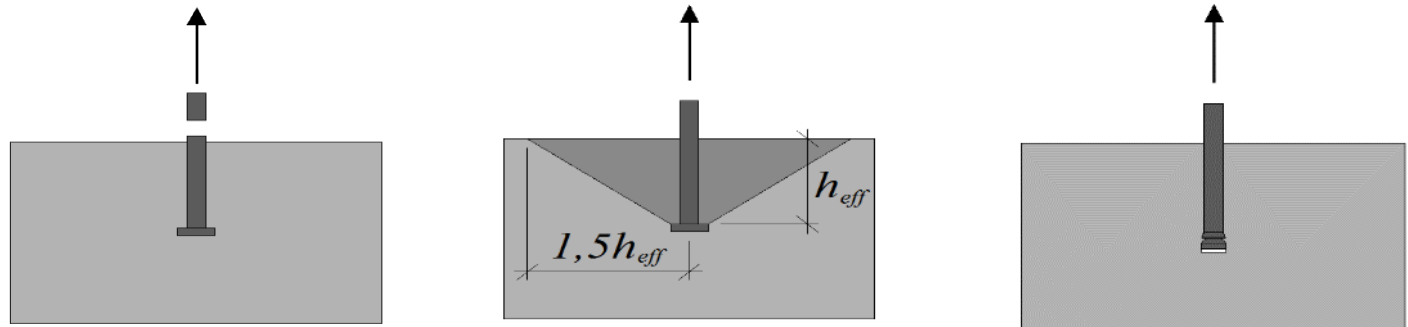
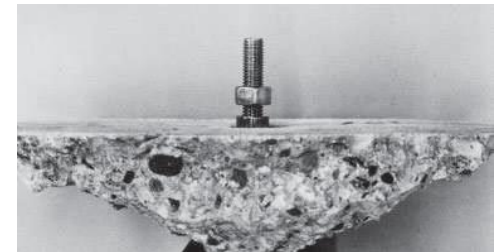
Benchmark case

Assessment III

Summary



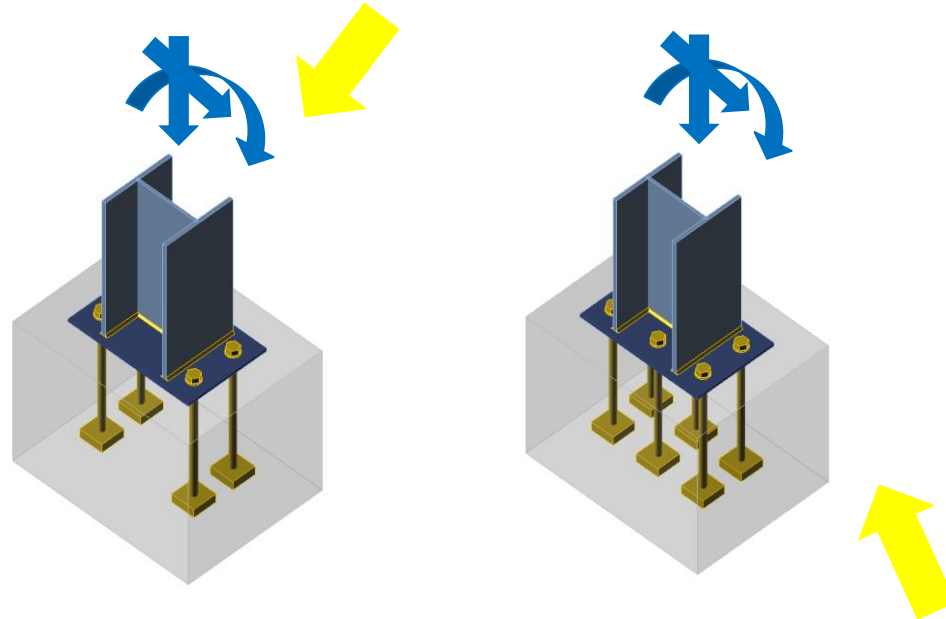
- Basic failure modes in tension are:
 - Steel failure of fastener
 - Concrete cone failure
 - Pull-out failure of fastener



Note: In structural steel column bases is asked the ductile steel fastener's failure mode, if structurally possible, compared to anchoring of secondary structures.

Distribution of forces between anchor bolts in tension

- EN1992-4:2018 expects, that forces between anchor bolts are distributed elastically. It meets the column base with one anchor bolt row.



- Plastic analyses according to CEN/TR 17081:2018 is used for distribution of bolt forces for more anchor bolt rows in tension. In this case is asked to be the govern failure ductile, e.g. the steel failure of fastener. The developed prying forces are taken into account .

Introduction

Anchor bolts

Classification

Assessment I

Component meth.

In compression

In tensions

Assembly

Assessment II

CBFEM

Validation

Verification

Sensitivity study

Benchmark case

Assessment III

Summary

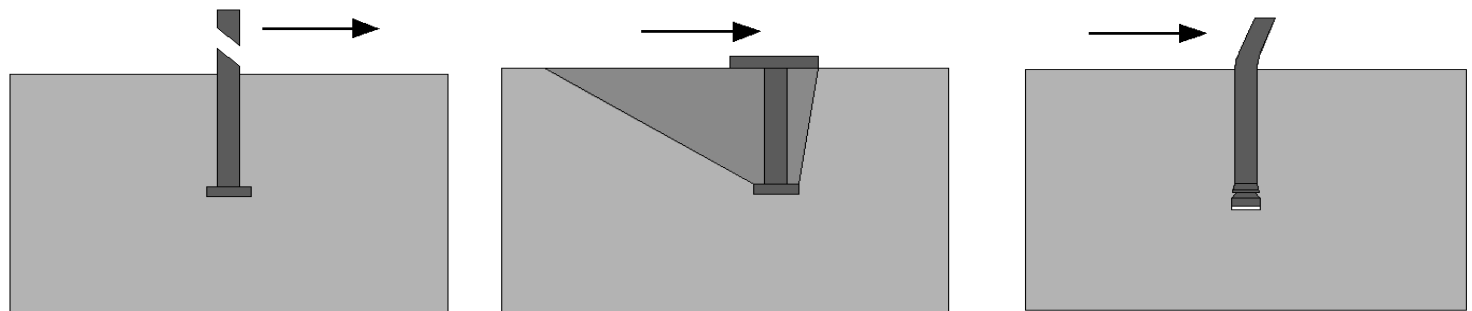


Design resistance of anchor bolt in shear

Anchor bolts for resistance in shear are designed according to EN1992-4:2018 for all possible failure modes.

Basic failure modes in shear are:

- Steel failure of fastener
- Concrete edge failure/Pry-out failure
- Pull-out failure of fastener



Introduction

Anchor bolts

Classification

Assessment I

Component meth.

In compression

In tensions

Assembly

Assessment II

CBFEM

Validation

Verification

Sensitivity study

Benchmark case

Assessment III

Summary



Column base classification

To simplify global analyses are classified joints in Ch. 5 of EN1993-1-8:2006 based on

- Best engineering practice
- Actual influence of particular joint to current frame design, which implicates recalculation.
- Simplified assumption of frame behaviour

According to initial joint bending stiffness are column bases classified

- Similar to beam-to-column joints
- Related to the column bending stiffness

Introduction

Anchor bolts

› Classification

Assessment I

Component meth.

In compression

In tensions

Assembly

Assessment II

CBFEM

Validation

Verification

Sensitivity study

Benchmark case

Assessment III

Summary



Column base classification by bending stiffness

Limit between rigid and semi-rigid column bases based on simplified assumption of frame behaviour.

- **For non-sway frames** is derived from column resistance

for $\bar{\lambda}_o \leq 0,5$ $S_{j,ini} \geq 0$

for $0,5 < \bar{\lambda}_o < 3,93$ $S_{j,ini} \geq 7 (2\bar{\lambda}_o - 1) E I_c / L_c$

and for $\bar{\lambda}_o \geq 3,93$ $S_{j,ini} \geq 48 E I_c / L_c$

where $\bar{\lambda}_o$ is relative slenderness for simple supported column at both ends.

Is valid for limited stiffness $12 E I_c / L_c$

- **For sway frames** is derived from limiting sway

$$S_{j,ini} \geq 30 E I_c / L_c$$

The limit between pinned and semi-rigid is expected 0,5.

Introduction

Anchor bolts

Classification

Assessment I

Component meth.

In compression

In tensions

Assembly

Assessment II

CBFEM

Validation

Verification

Sensitivity study

Benchmark case

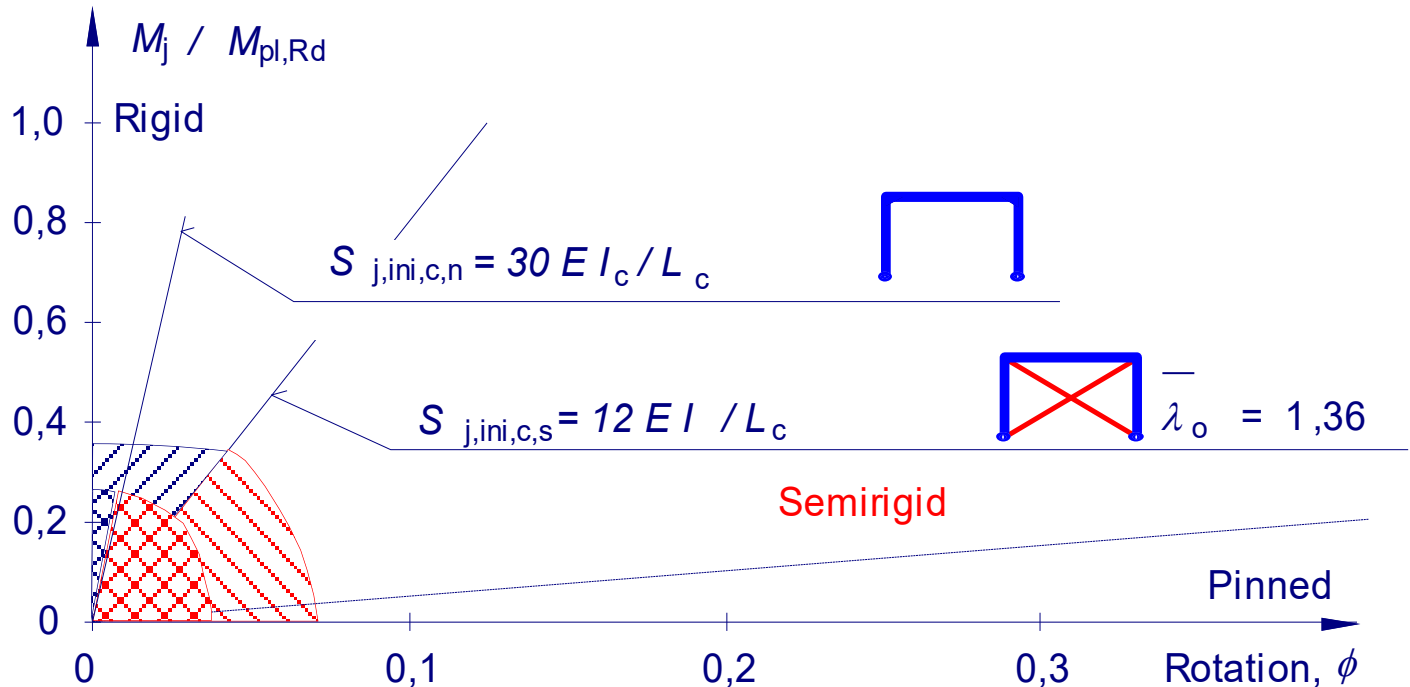
Assessment III

Summary



Column base classification by bending stiffness

Below are shown the limits between rigid, semi-rigid column and pinned column bases based on simplified assumption of frame behaviour.



The limits assure accuracy in design of frame 5% for resistance and 20% for serviceability.

Introduction

Anchor bolts

Classification

Assessment I

Component meth.

In compression

In tensions

Assembly

Assessment II

CBFEM

Validation

Verification

Sensitivity study

Benchmark case

Assessment III

Summary



Classification of column base in non-sway frame

Below is shown the influence of bending stiffness of two column bases to the column buckling length on example of column HEB200.

On the vertical axes is parameter of buckling length β ; $\beta = 0,7$ for rigid column base and $\beta = 1,0$ for pin one. On the horizontal axes is the relative slenderness of base plate to column in logarithmic scale. The points represent influence of the real column bases on buckling length.

Introduction

Anchor bolts

Classification

Assessment I

Component meth.

In compression

In tensions

Assembly

Assessment II

CBFEM

Validation

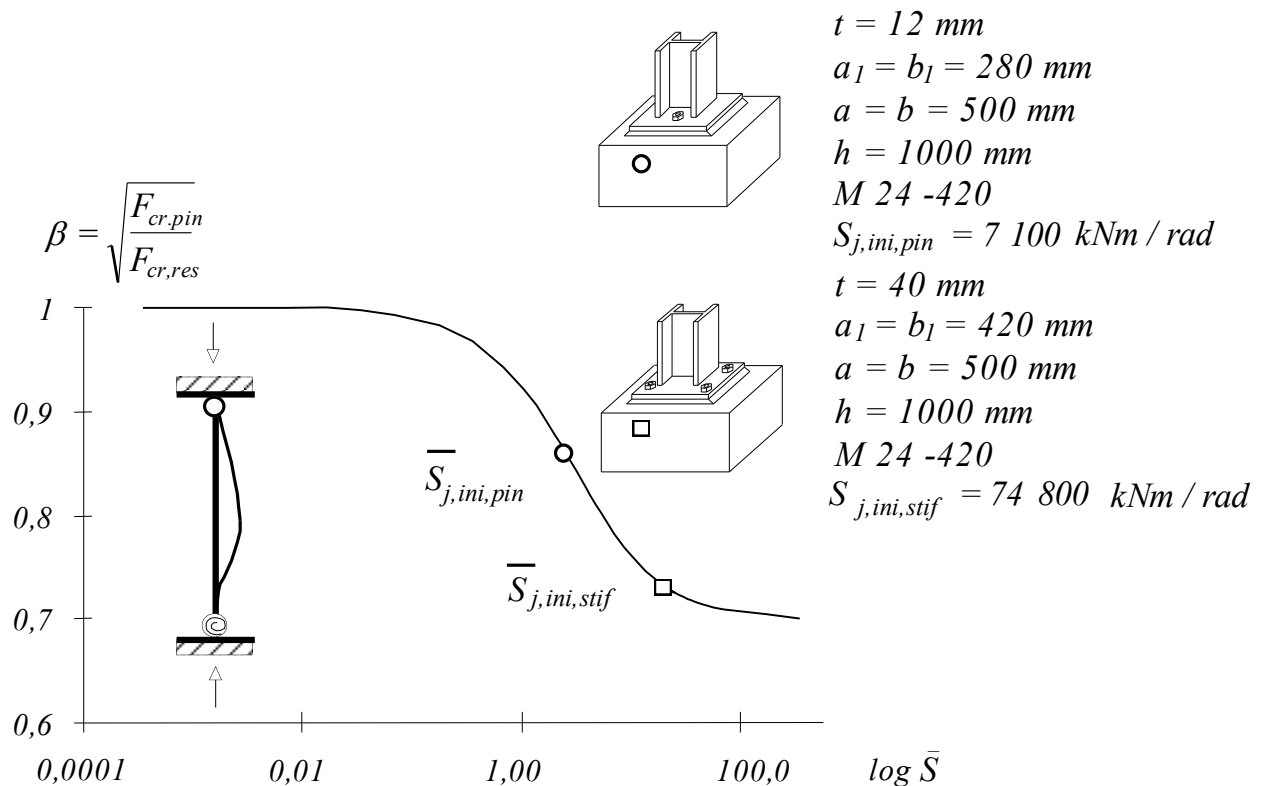
Verification

Sensitivity study

Benchmark case

Assessment III

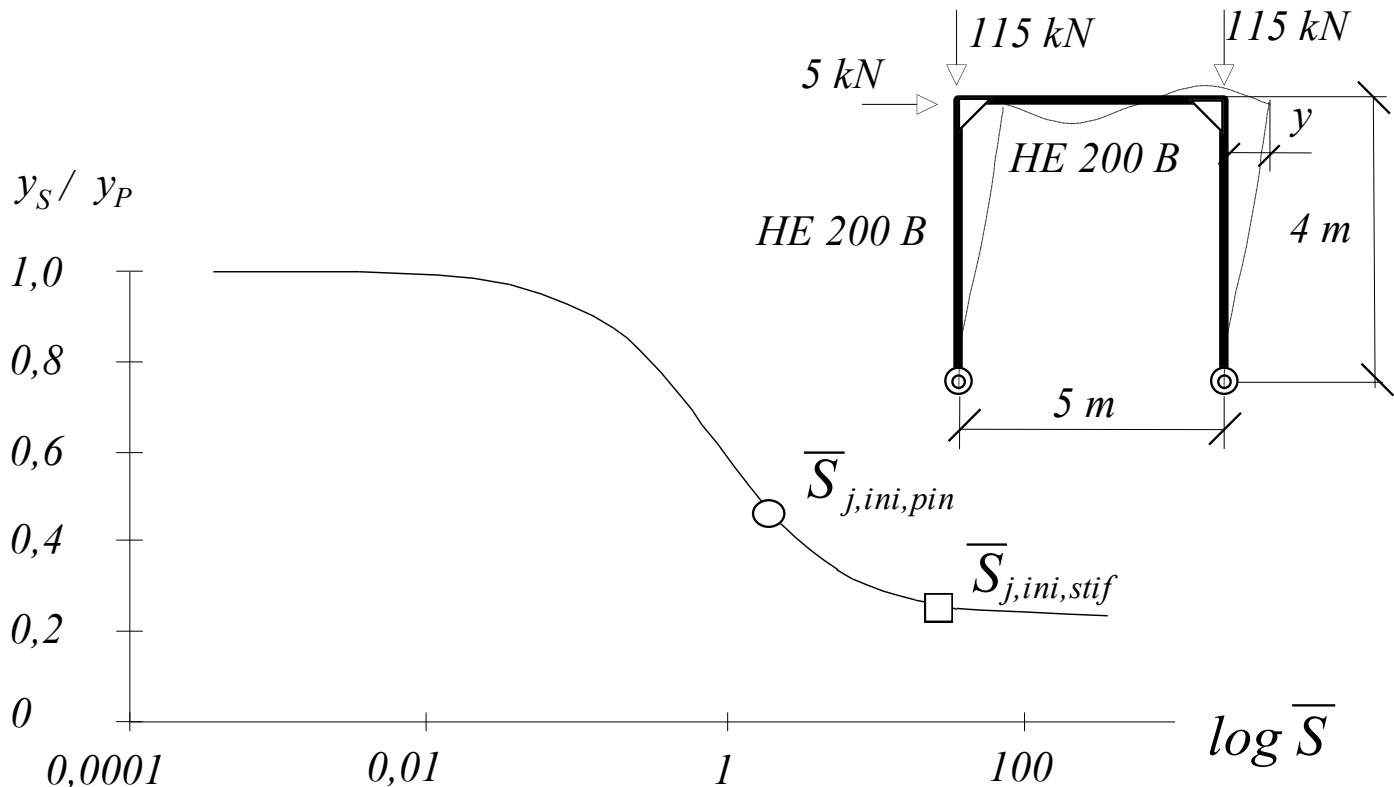
Summary



Classification of column base in sway frame

Below is shown the influence of bending stiffness of column bases in sway portal frame.

On the vertical axes is parameter of sway y_s/y_p ; $y_s/y_p = 0,33$ for rigid column base and $y_s/y_p = 1,0$ for pin one. On the horizontal axes is the relative slenderness of base plate to column in logarithmic scale. The points represent influence of the real column bases on buckling length of columns.



Introduction

Anchor bolts

Classification

Assessment I

Component meth.

In compression

In tensions

Assembly

Assessment II

CBFEM

Validation

Verification

Sensitivity study

Benchmark case

Assessment III

Summary



Assessment I

Introduction

Anchor bolts

Classification

▶ Assessment I

Component meth.

In compression

In tensions

Assembly

Assessment II

CBFEM

Validation

Verification

Sensitivity study

Benchmark case

Assessment III

Summary



- What are the basic failure modes of anchor bolts in tension?
- What should be the failure mode of anchor bolt in case of plastic distribution of forces in column base with more bolt rows?
- What are the basic failure modes of anchor bolts in shear?
- What is the reason of classification of joints by bending stiffness?
- What principles are used for classification of joints by bending stiffness?
- For what accuracy was derived the limit between rigid and semi-rigid column bases for simplified assumption of frame behaviour?

Component method

Lecture 3

Column base



Component method for column bases

- In the first step of component method is the joint divided into components.

Introduction

Anchor bolts

Classification

Assessment I

Component meth.

In compression

In tensions

Assembly

Assessment II

CBFEM

Validation

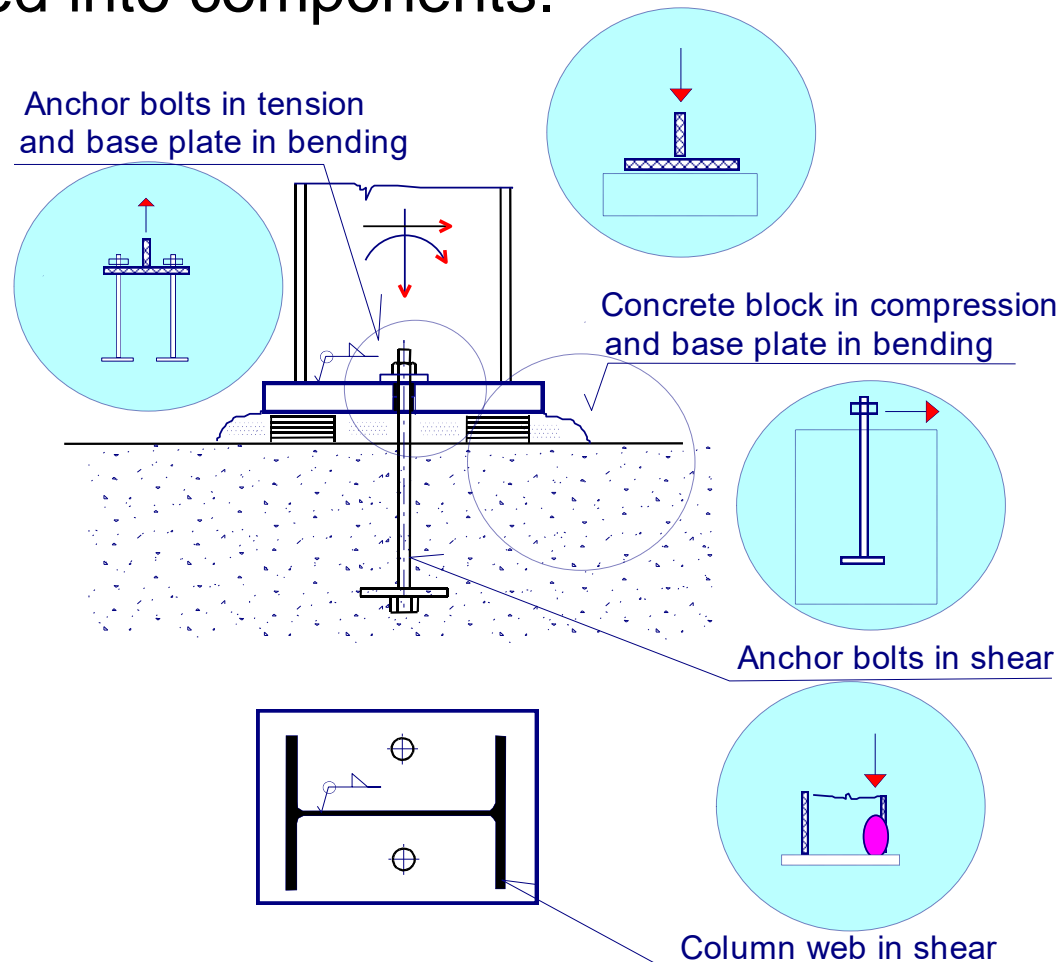
Verification

Sensitivity study

Benchmark case

Assessment III

Summary



Component base plate in bending and concrete block in compression

Introduction

Anchor bolts

Classification

Assessment I

Component meth.

► In compression

In tensions

Assembly

Assessment II

CBFEM

Validation

Verification

Sensitivity study

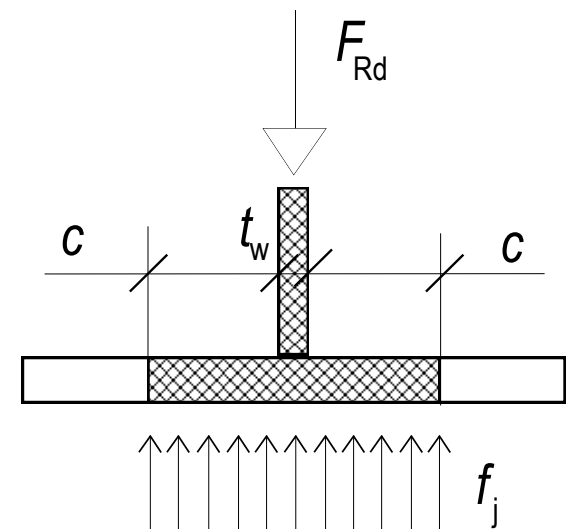
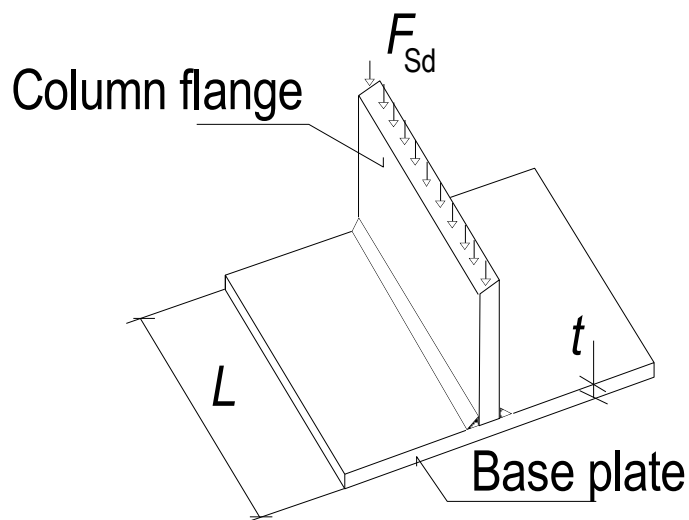
Benchmark case

Assessment III

Summary



- **Base plate is flexible under rigid flange/web plates** and is taken into account in design by
 - Effective rigid area under the flexible plate A_{eff} .
- **Concrete block occurs in spatial stress** and is taken into account in design by
 - Concrete design strength in joint f_{jd} .



Concrete design strength in joint f_{jd}

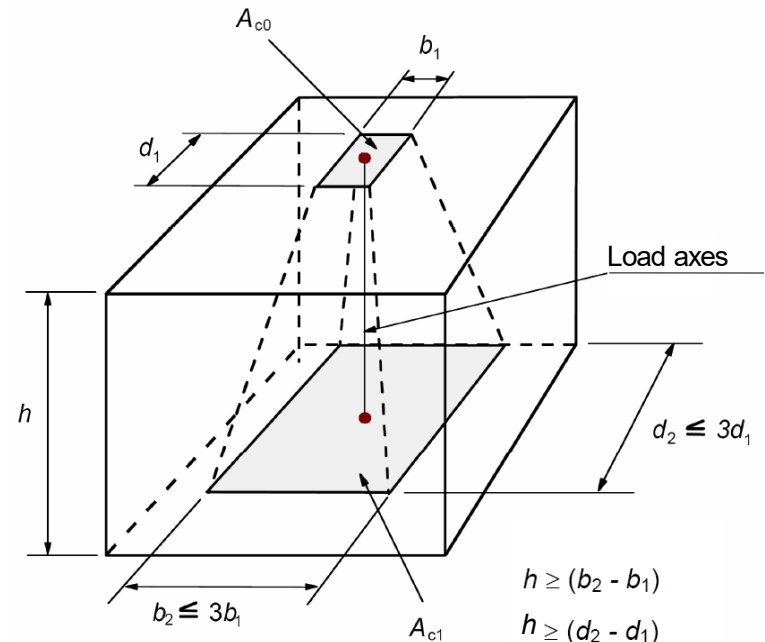
Concrete design strength in joint f_{jd} is derived from the concrete resistance to concentrated force $F_{Rd,u}$.

$$f_{jd} = \frac{\beta_j F_{Rdu}}{b_{ef} l_{ef}} = \frac{\beta_j A_{c0} f_{cd} \sqrt{\frac{A_{c1}}{A_{c0}}}}{A_{c0}} = \beta_j f_{cd} \sqrt{\frac{A_{c1}}{A_{c0}}} \leq \frac{3,0 A_{c0} f_{cd}}{A_{c0}} = 3,0 f_{cd}$$

where

β_j is joint coefficient due to lower quality of grout compared to concrete and is taken 2/3

f_{cd} is concrete compressive strength



Introduction

Anchor bolts

Classification

Assessment I

Component meth.

► In compression

In tensions

Assembly

Assessment II

CBFEM

Validation

Verification

Sensitivity study

Benchmark case

Assessment III

Summary



Concrete resistance to concentrated force $F_{Rd,u}$

Concrete resistance to concentrated force $F_{Rd,u}$ is taken as homogenous force $F_{Rd,u}$ on the loaded area A_{c0} . It is limited by geometry of concrete block.

Introduction

Anchor bolts

Classification

Assessment I

Component meth.

► [In compression](#)

In tensions

Assembly

Assessment II

CBFEM

Validation

Verification

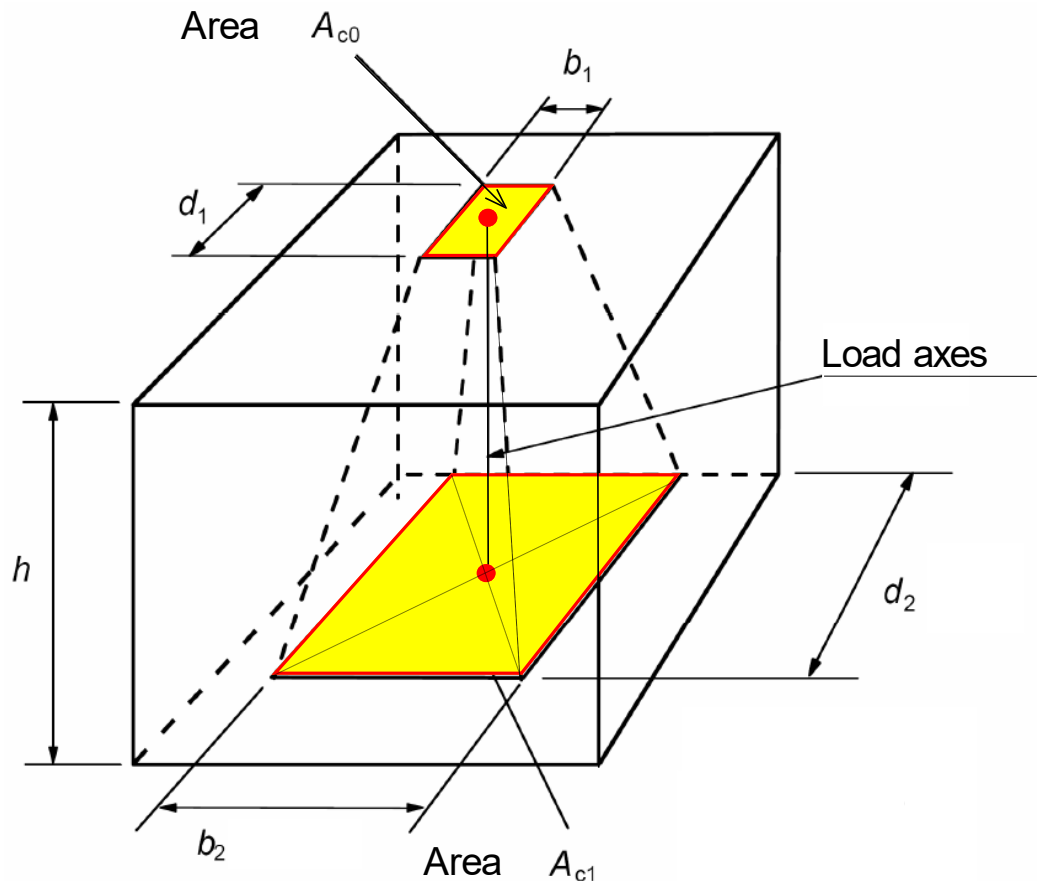
Sensitivity study

Benchmark case

Assessment III

Summary

Note:
In spatial stress is failure mode crushing of concrete under the base plate.



Concrete resistance to concentrated force $F_{Rd,u}$

Concrete resistance to concentrated force $F_{Rd,u}$ is calculated from geometry of concrete block as

$$F_{Rd,u} = A_{c0} f_{cd} \sqrt{\frac{A_{c1}}{A_{c0}}} \leq 3,0 A_{c0} f_{cd}$$

$$A_{c0} = b_1 d_1$$

$$A_{c1} = b_2 d_2$$

$$h \geq b_2 - b_1; h \geq d_2 - d_1$$

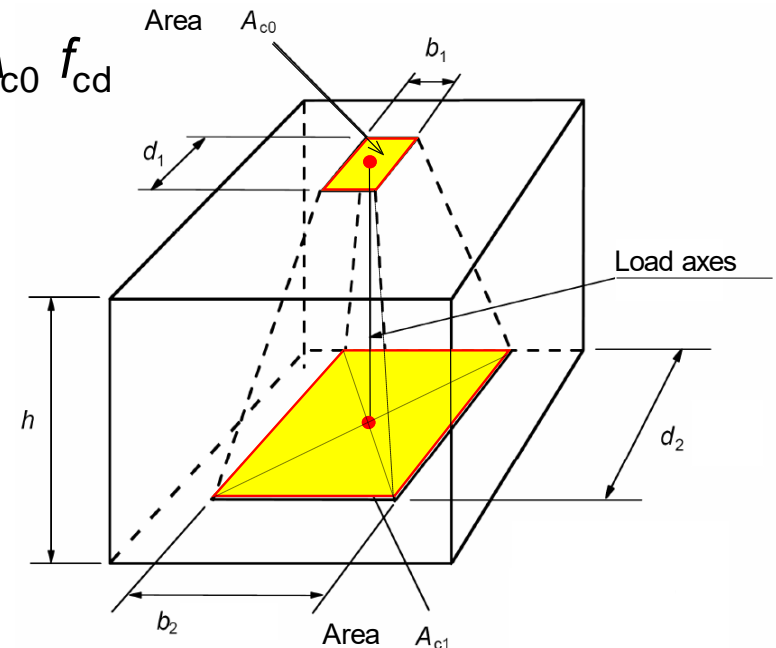
$$3 \cdot b_1 \geq b_2 \text{ and } 3 \cdot d_1 \geq d_2$$

where

f_{cd} is concrete compressive strength

A_{c0} is area of crushing of the concrete

Cl. 6.7(2) in EN 1992-1-1



Introduction

Anchor bolts

Classification

Assessment I

Component meth.

► In compression

In tensions

Assembly

Assessment II

CBFEM

Validation

Verification

Sensitivity study

Benchmark case

Assessment III

Summary

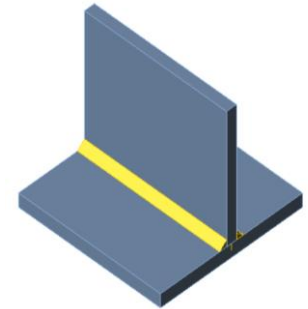
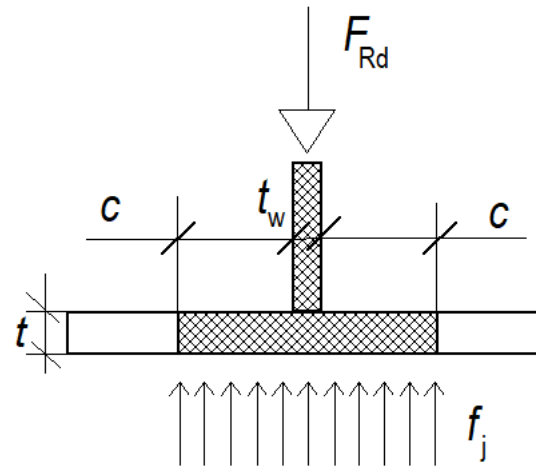


Effective flexible plate on the concrete block

Effective flexible plate on the concrete block, where is reached the concrete design strength in joint f_{jd} , **is limited by elastic deformation of the base plate.**

From this assumption is calculated effective width c round the column's flanges/webs as

$$c = t \sqrt{\frac{f_y}{3 f_{jd} \gamma_{M0}}}$$



where

t is the plate thickness

f_y is the base plate yield strength

f_{jd} is the design bearing strength of the joint

γ_{M0} is the partial safety factor for concrete

Introduction

Anchor bolts

Classification

Assessment I

Component meth.

► In compression

In tensions

Assembly

Assessment II

CBFEM

Validation

Verification

Sensitivity study

Benchmark case

Assessment III

Summary



Effective area under the base plate

The effective area of design contact under the base plate is created around the column's web and flanges by the T-stub effective width c

Introduction

Anchor bolts

Classification

Assessment I

Component meth.

► In compression

In tensions

Assembly

Assessment II

CBFEM

Validation

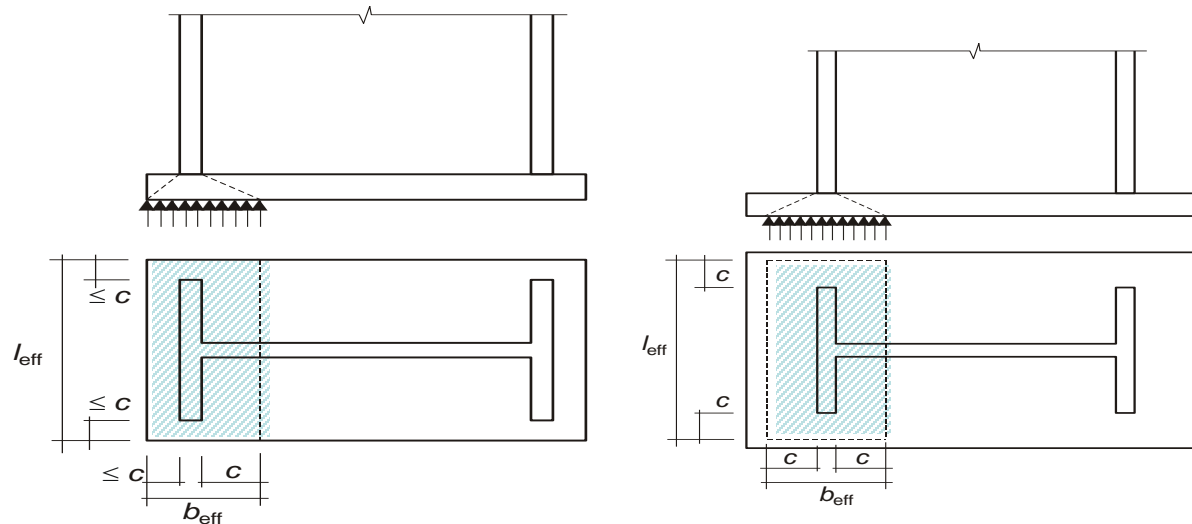
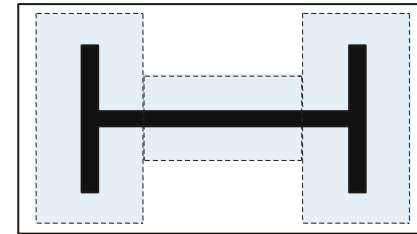
Verification

Sensitivity study

Benchmark case

Assessment III

Summary



Into account is taken only real the projection of the physical length of the basic joint component represented by the T-stub.

Stiffness of component concrete in compression and base plate in bending

Stiffness coefficient of concrete in compression under base plate is taken as deformation of elastic hemisphere

$$k_c = \frac{F}{\delta E} = \frac{E_c \sqrt{a_{eq,el}} L}{1,5 \cdot 0,85 E} = \frac{E_c \sqrt{a_{eq,el}} L}{1,275 E}$$

where $a_{eq,el}$ is effective width of T-stub
 L is the flange/web length

Effective T-stub width $a_{eq,el}$ in elastic stage may be assumed as

$$\begin{aligned} a_{eq,el} &= t_w + 2,5 t \approx a_{eq,st} = \\ &= t_w + 2 c = t_w + 2 t \sqrt{\frac{f_y}{3 f_{jd} \gamma_{M0}}} \end{aligned}$$

Introduction

Anchor bolts

Classification

Assessment I

Component meth.

► [In compression](#)

In tensions

Assembly

Assessment II

CBFEM

Validation

Verification

Sensitivity study

Benchmark case

Assessment III

Summary



Comparison to experiments

On the graph is compared the prediction of stiffness of component concrete in compression and base plate in bending. On the vertical axes is the applied force and on horizontal axes the deformation.

Introduction

Anchor bolts

Classification

Assessment I

Component meth.

▶ In compression

In tensions

Assembly

Assessment II

CBFEM

Validation

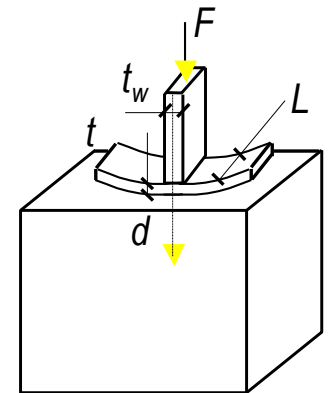
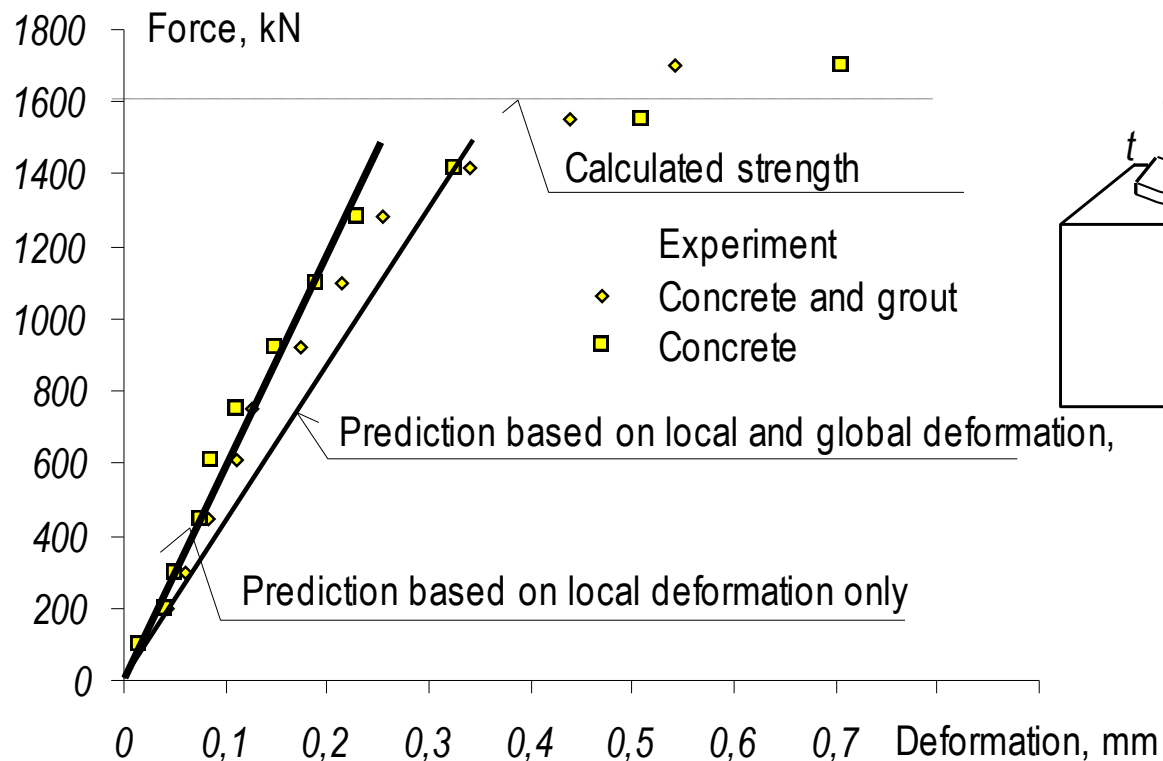
Verification

Sensitivity study

Benchmark case

Assessment III

Summary



Influence of grout to column base resistance

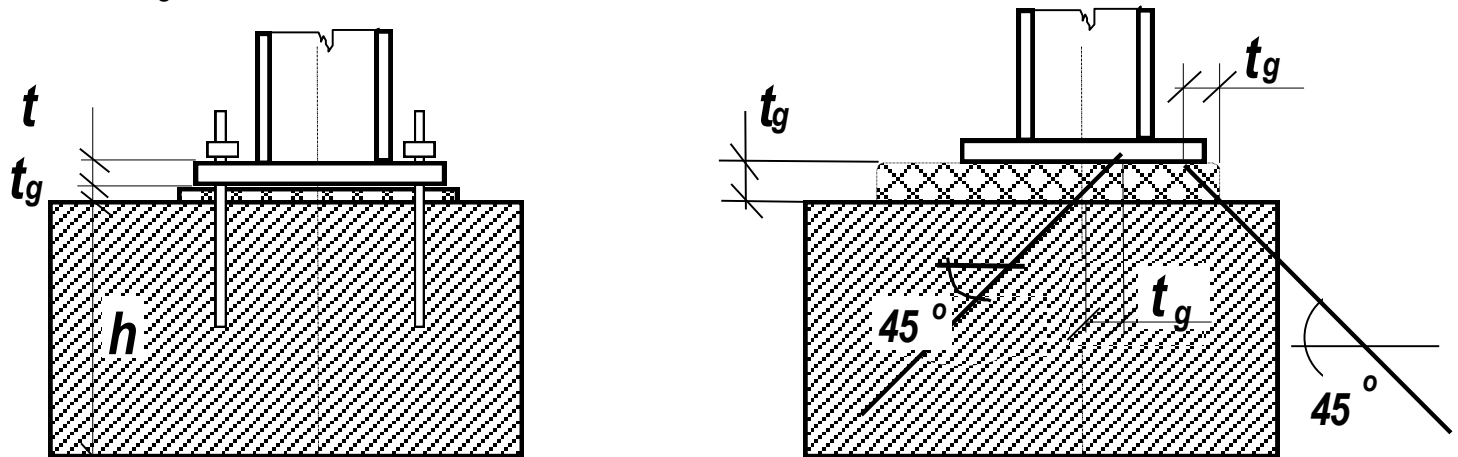
- Grout with higher strength than concrete block may be taken into account to improve resistance.
- Grout with lower strength than concrete block behaves under base plate as liquid and is taken into account by joint reduction factor β_j .

$$\beta_j = 2 / 3$$

$$f_{c,g} \geq 0,2 f_c$$

$$t_g \leq 0,2 \min (a ; b)$$

$$t_g \geq 0,2 \min (a ; b)$$



Introduction

Anchor bolts

Classification

Assessment I

Component meth.

► In compression

In tensions

Assembly

Assessment II

CBFEM

Validation

Verification

Sensitivity study

Benchmark case

Assessment III

Summary



Component anchor bolts in tension and base plate in bending

Introduction

Anchor bolts

Classification

Assessment I

Component meth.

In compression

> In tensions

Assembly

Assessment II

CBFEM

Validation

Verification

Sensitivity study

Benchmark case

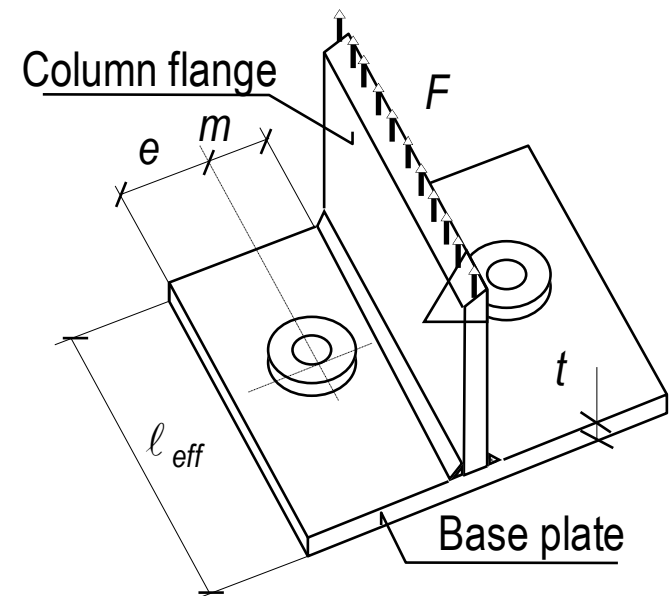
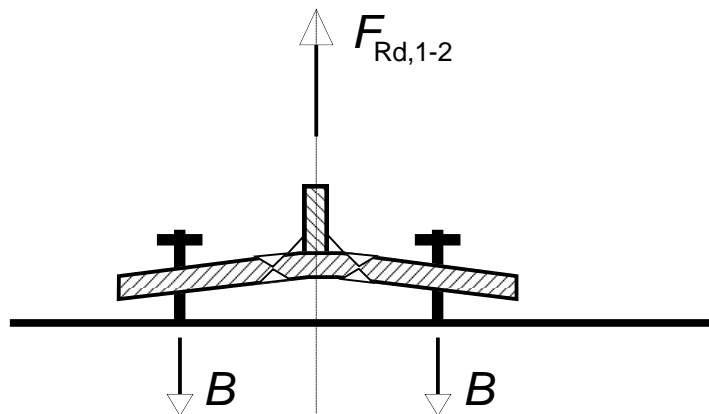
Assessment III

Summary



T-stub created by the base plate, column flange/web and anchor bolts behaves differently compared to the T-stub created by end plate, beam flange/web and bolts in the bolted end plate connection because

- Base plate is thicker
- Anchor bolt free length is longer



When the prying force may not develop?

The base plate contact to concrete block depends on ration between bolt tensile stiffness and base plate bending stiffness.

Prying forces may develop if

$$L_b \leq \frac{8,82 \cdot m^3 \cdot A_s}{L_{\text{eff}} t^3}$$

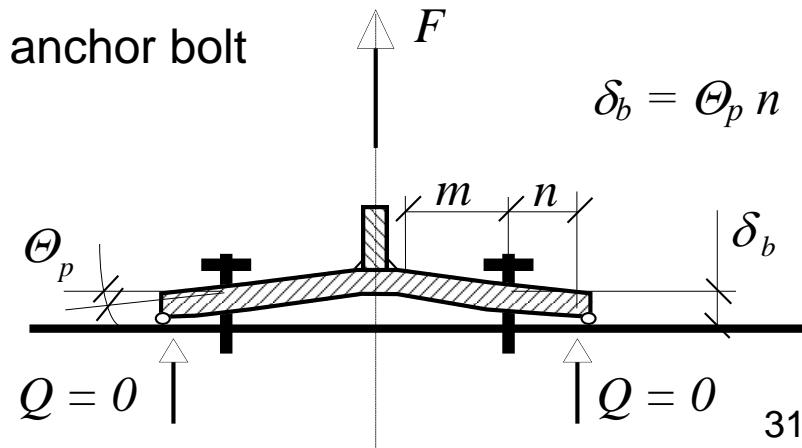
where

L_b is the anchor bolt elongation length, taken equal to the grip length (total thickness of material and washers), plus half the sum of the height of the anchor bolt head and the height of the nut, or the anchor bolt length, taken equal to the sum of 8 times the nominal anchor bolt diameter, the grout layer, the plate thickness, the washer and half the height of the nut,

A_s is the tensile stress area of the anchor bolt

t is the base palte thickness

L_{eff} is the T stub effective leנגth



Introduction

Anchor bolts

Classification

Assessment I

Component meth.

In compression

► In tensions

Assembly

Assessment II

CBFEM

Validation

Verification

Sensitivity study

Benchmark case

Assessment III

Summary



Failure mode 1-2 without prying

The failure mode 1-2 is derived to avoid contact of the base plate to the concrete surface.

Design resistance for failure mode 1–2 is governed by plate failure

$$F_{T,1-2,Rd} = \frac{2 M_{pl,1,Rd}}{m}$$

where m is the lever arm of the anchor bolt.

$$M_{pl,1,Rd} = 0,25 \ell_{eff} t_f^2 / \gamma_{M0}$$

is the plastic moment resistance of the base plate
with

ℓ_{eff} is the effective length of the T-stub and

t_{eff} is the base plate thickness.

Introduction

Anchor bolts

Classification

Assessment I

Component meth.

In compression

› In tensions

Assembly

Assessment II

CBFEM

Validation

Verification

Sensitivity study

Benchmark case

Assessment III

Summary



Graphical representation of the failure mode 1-2

of the T-stub of anchor bolts in tension and base plate in bending

The difference between failure mode 1 and 2 and failure mode 1-2 is shown on the diagram below, where on vertical axes is acting force F divided by the anchor bolts resistance and on horizontal axes is T-stub bending resistance of base plate divided by the anchor bolts resistance.

Introduction

Anchor bolts

Classification

Assessment I

Component meth.

In compression

» In tensions

Assembly

Assessment II

CBFEM

Validation

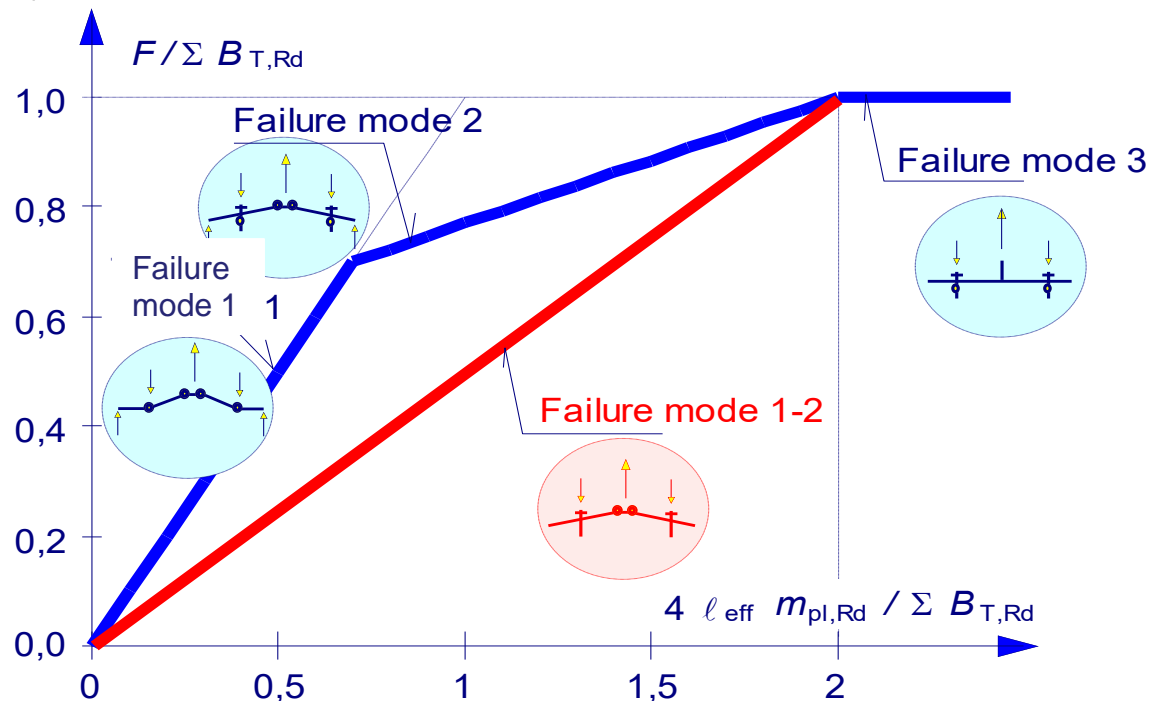
Verification

Sensitivity study

Benchmark case

Assessment III

Summary



$B_{t,Rd}$ is anchor bolt tensile resistance

$m_{pl,Rd}$ is base plate bending resistance of unique length

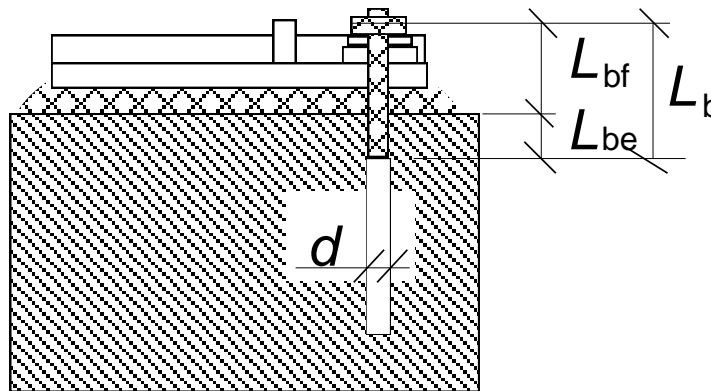
Anchor bolt effective length L_{eff}

Anchor bolt effective length L_{eff} consists of bolt free length L_{bf} and free embedded length L_{be} .

$$L_{\text{eff}} = L_{\text{bf}} + L_{\text{be}}$$

$$L_{\text{eff}} \approx 8 d$$

where d is anchor bolt diameter.



Introduction

Anchor bolts

Classification

Assessment I

Component meth.

In compression

› In tensions

Assembly

Assessment II

CBFEM

Validation

Verification

Sensitivity study

Benchmark case

Assessment III

Summary

Effective length of T-stub

is different in case of prying/no prying

E.g. for base plate with bolts inside the flanges is the effective length

- in prying case

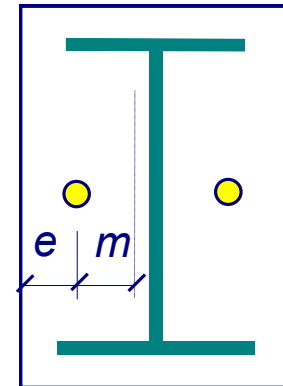
$$\ell_1 = 2 \alpha m - (4 m + 1,25 e)$$

$$\ell_2 = 2 \pi m$$

- in no prying case

$$\ell_1 = 2 \alpha m - (4 m + 1,25 e)$$

$$\ell_2 = 4 \pi m$$



Introduction

Anchor bolts

Classification

Assessment I

Component meth.

In compression

▶ In tensions

Assembly

Assessment II

CBFEM

Validation

Verification

Sensitivity study

Benchmark case

Assessment III

Summary



Stiffness

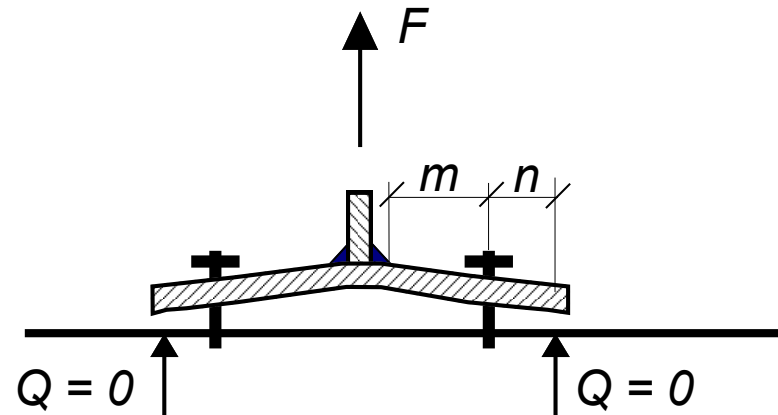
is different in case of no prying

The stiffness coefficient for plate without prying is derived the stiffness coefficient for plate as

$$k_p = \frac{0,425 l_{\text{eff}} t^3}{m^3}$$

and for anchor bolt as

$$k_b = 2,0 \frac{A_s}{L_b}$$



where t is the base plate thickness

Introduction

Anchor bolts

Classification

Assessment I

Component meth.

In compression

> In tensions

Assembly

Assessment II

CBFEM

Validation

Verification

Sensitivity study

Benchmark case

Assessment III

Summary



Comparison to experiments

The model of anchor bolt in tension is validated against the experiment in Figure below and the good prediction of the resistance and stiffness of the current models is shown.

Introduction

Anchor bolts

Classification

Assessment I

Component meth.

In compression

In tensions

Assembly

Assessment II

CBFEM

Validation

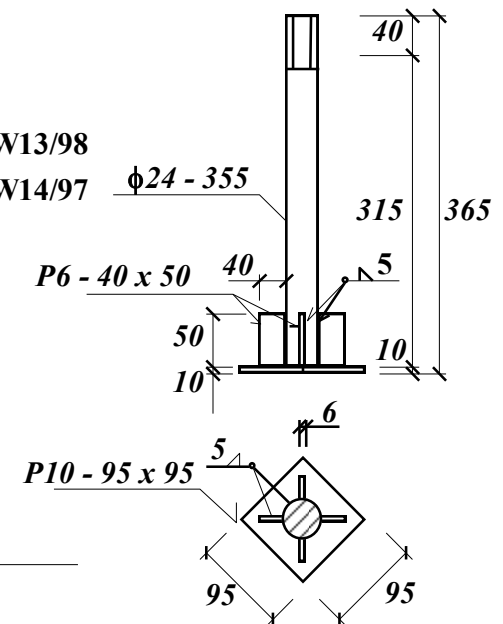
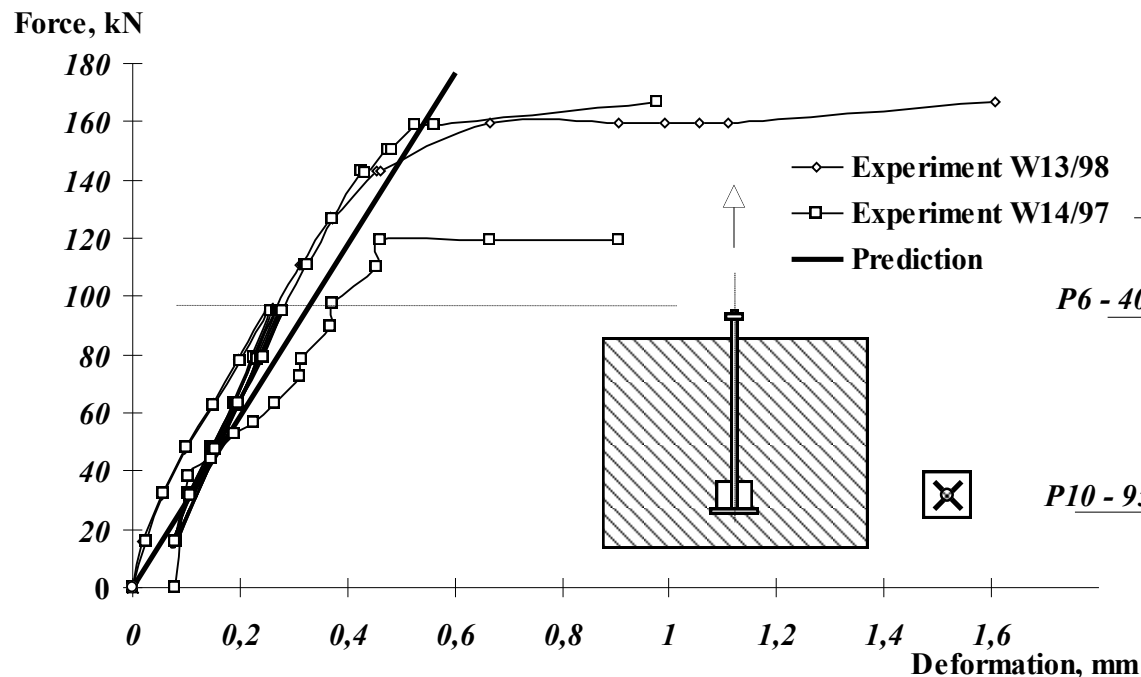
Verification

Sensitivity study

Benchmark case

Assessment III

Summary



Comparison to experiments

The model of the T-stub of component anchor bolt in tension and base plate in bending is validated against the experiment in Figures below and the good prediction of the resistance and stiffness of the current component model is shown.

Introduction

Anchor bolts

Classification

Assessment I

Component meth.

In compression

▶ In tensions

Assembly

Assessment II

CBFEM

Validation

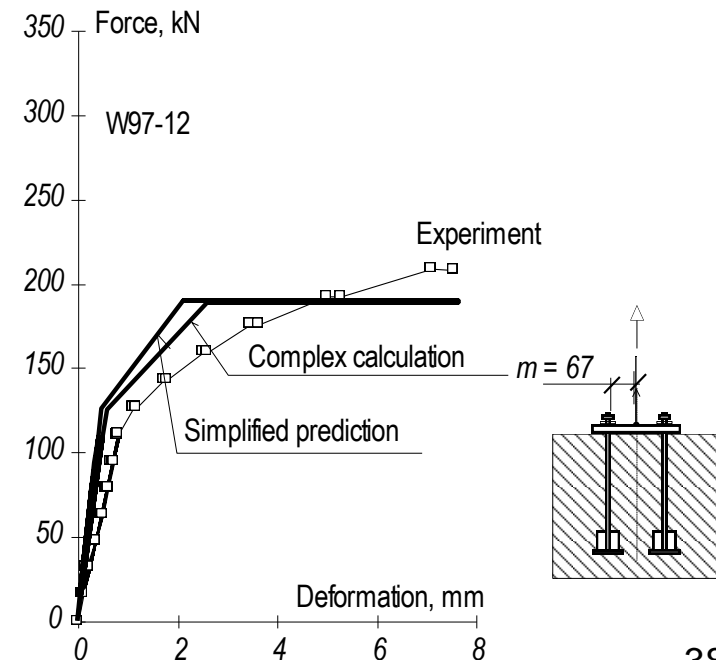
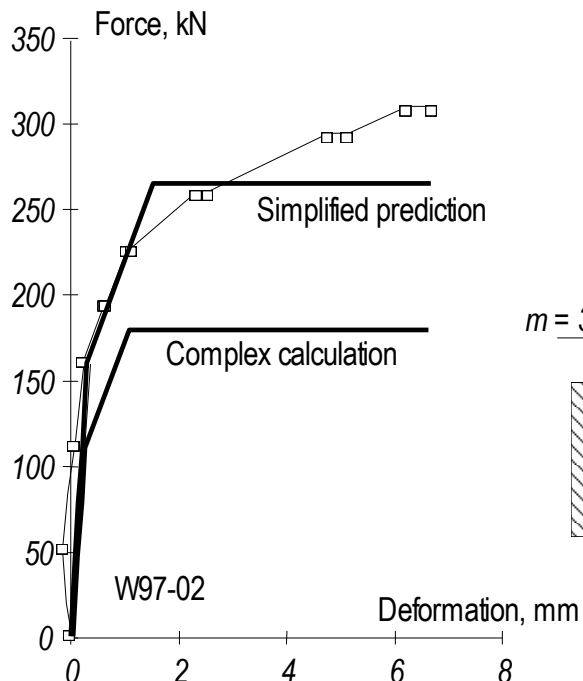
Verification

Sensitivity study

Benchmark case

Assessment III

Summary



Bending resistance

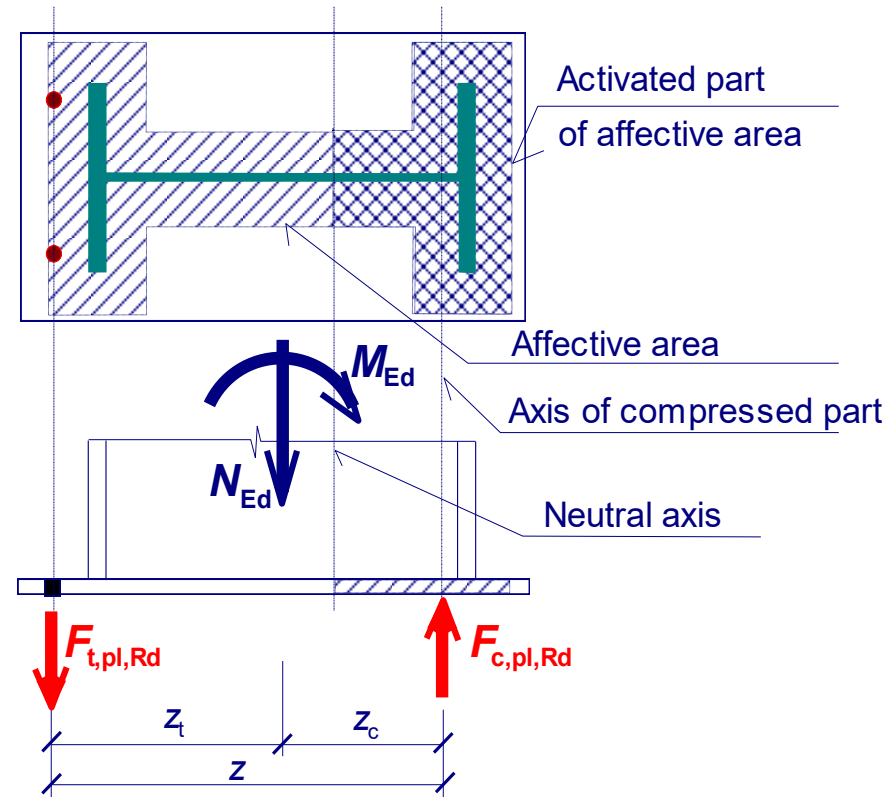
The calculation of the column base resistance is based on the plastic equilibrium of forces on the cross section created by anchor bolts in tension and part of the concrete under base plate in compression.

$$\frac{M_{Ed}}{z} - \frac{N_{Ed} z_c}{z} = F_{t,pl,Rd}$$

$$\frac{M_{Ed}}{z} + \frac{N_{Ed} z_t}{z} = F_{c,pl,Rd}$$

Then, the column base moment resistance M_{Rd} is

$$M_{Rd} = \min \left\{ \begin{array}{l} F_{t,Rd} \cdot z + N_{Ed} \cdot z_c \\ F_{c,Rd} \cdot z - N_{Ed} \cdot z_t \end{array} \right\}$$



Introduction

Anchor bolts

Classification

Assessment I

Component meth.

In compression

In tensions

Assembly

Assessment II

CBFEM

Validation

Verification

Sensitivity study

Benchmark case

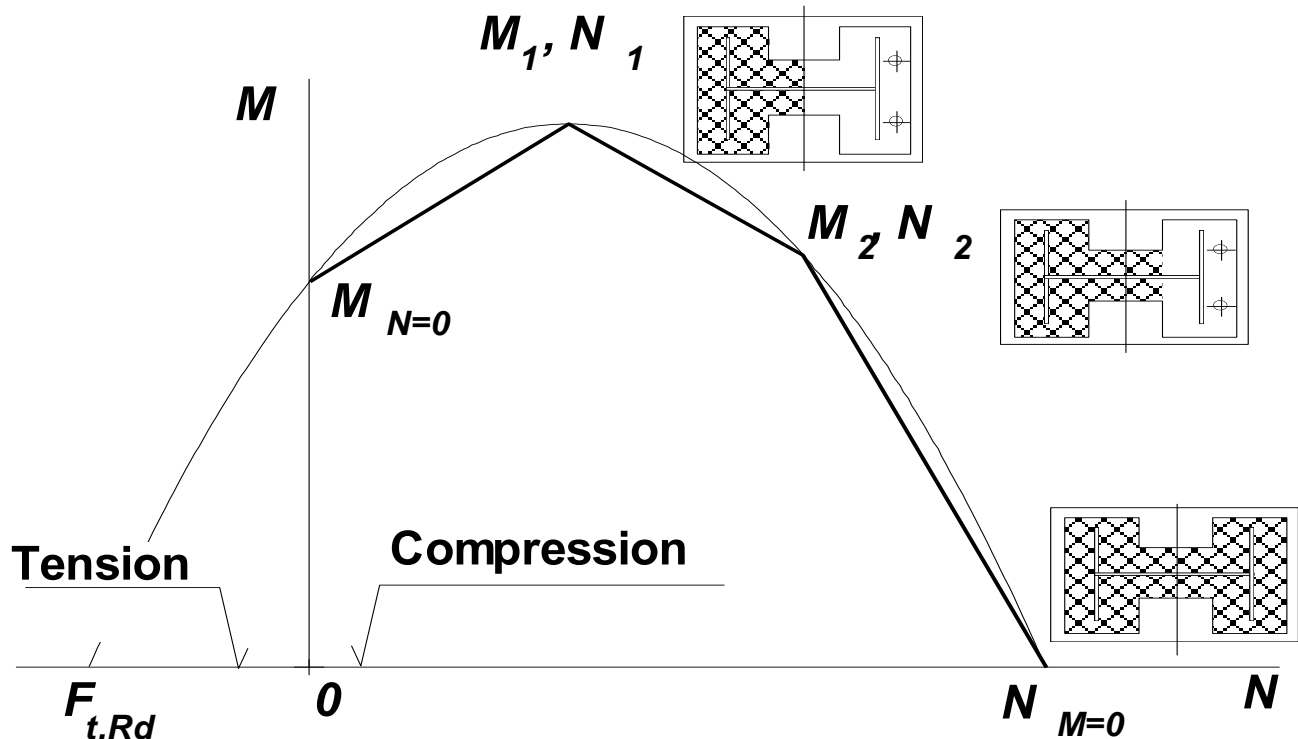
Assessment III

Summary



Interaction diagram

Moment – normal force interaction diagram describes the design resistance of base plate by changing the eccentricity of loading with significant point at changes of effective area.



Introduction

Anchor bolts

Classification

Assessment I

Component meth.

In compression

In tensions

> Assembly

Assessment II

CBFEM

Validation

Verification

Sensitivity study

Benchmark case

Assessment III

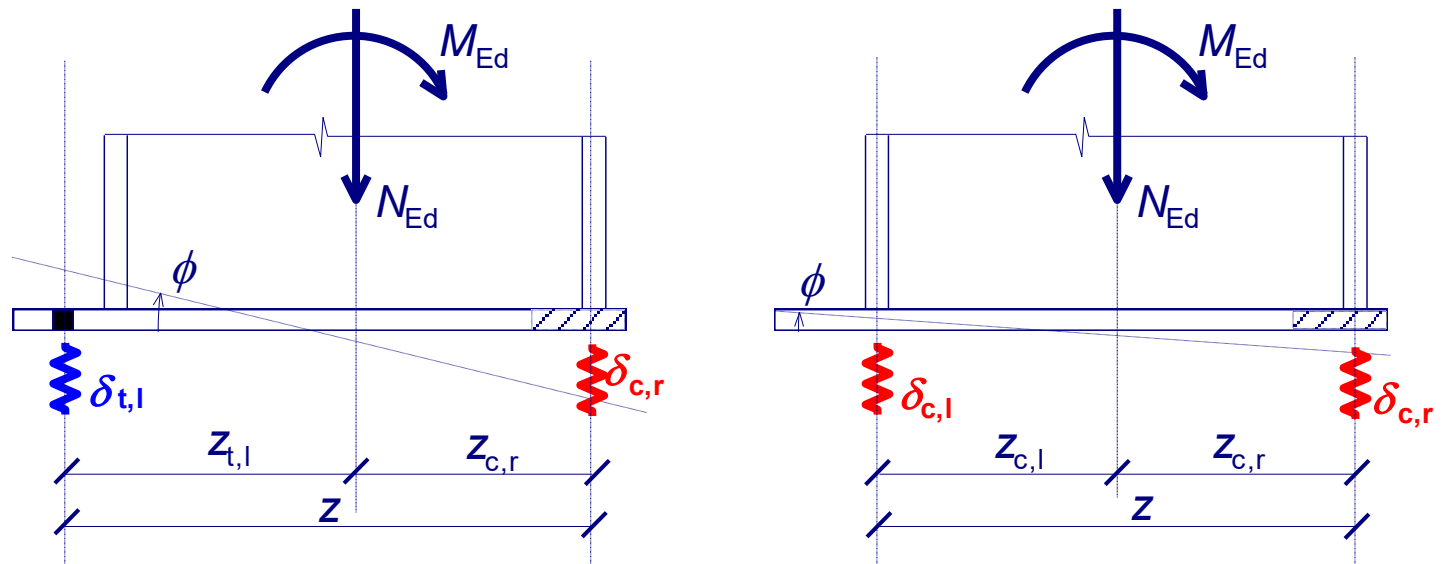
Summary



Bending stiffness

The column base bending stiffness is derived on simplified model with acting compression force under column flange and tension force in centre of bolt row from the component deformation for two cases

- Bolts are activated
- Bolts are not activated



Introduction

Anchor bolts

Classification

Assessment I

Component meth.

In compression

In tensions

Assembly

Assessment II

CBFEM

Validation

Verification

Sensitivity study

Benchmark case

Assessment III

Summary



History of loading

The column base bending stiffness depends on history of loading. It is higher, if the column base is first loaded by compression and then by bending compared to, if it is loaded by reverse.

Introduction

Anchor bolts

Classification

Assessment I

Component meth.

In compression

In tensions

▶ Assembly

Assessment II

CBFEM

Validation

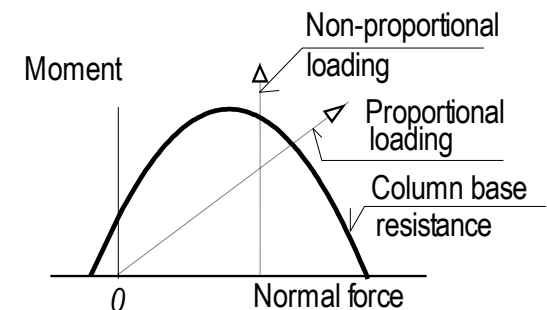
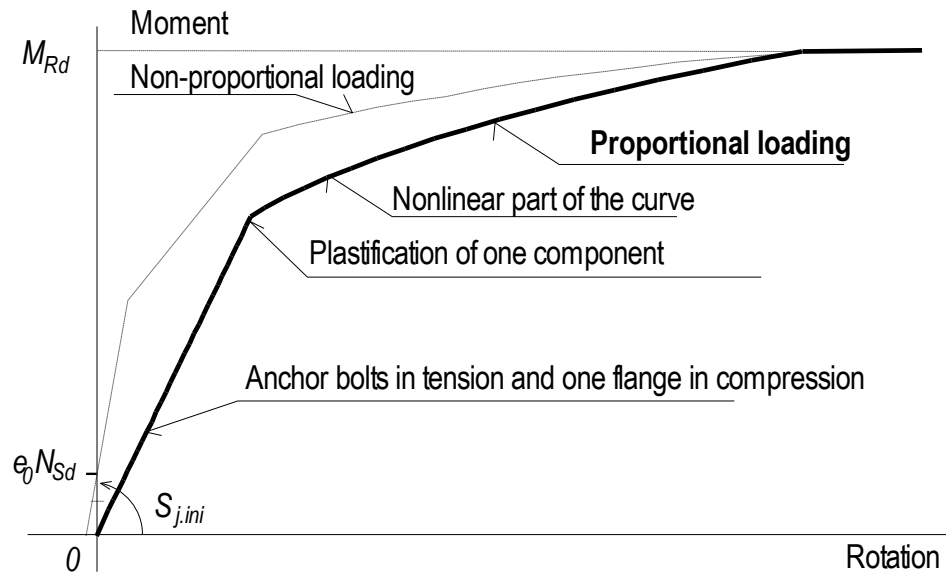
Verification

Sensitivity study

Benchmark case

Assessment III

Summary



Comparison to experiment

On Figures below is validated the model of the column base against the experiment to show the good prediction of the resistance and stiffness of the current component model.

Introduction

Anchor bolts

Classification

Assessment I

Component meth.

In compression

In tensions

▶ Assembly

Assessment II

CBFEM

Validation

Verification

Sensitivity study

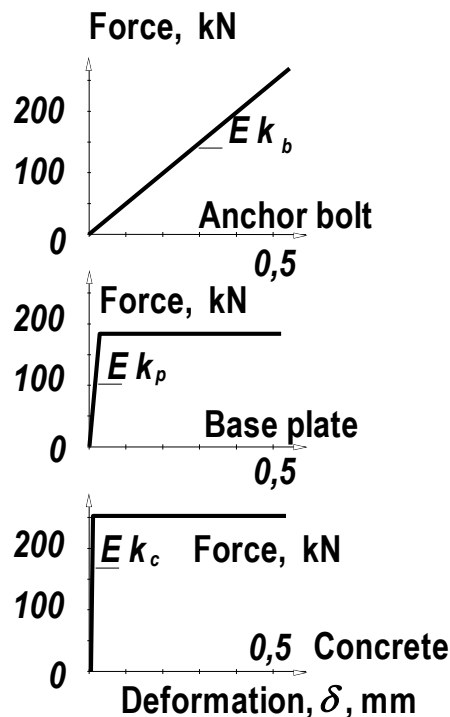
Benchmark case

Assessment III

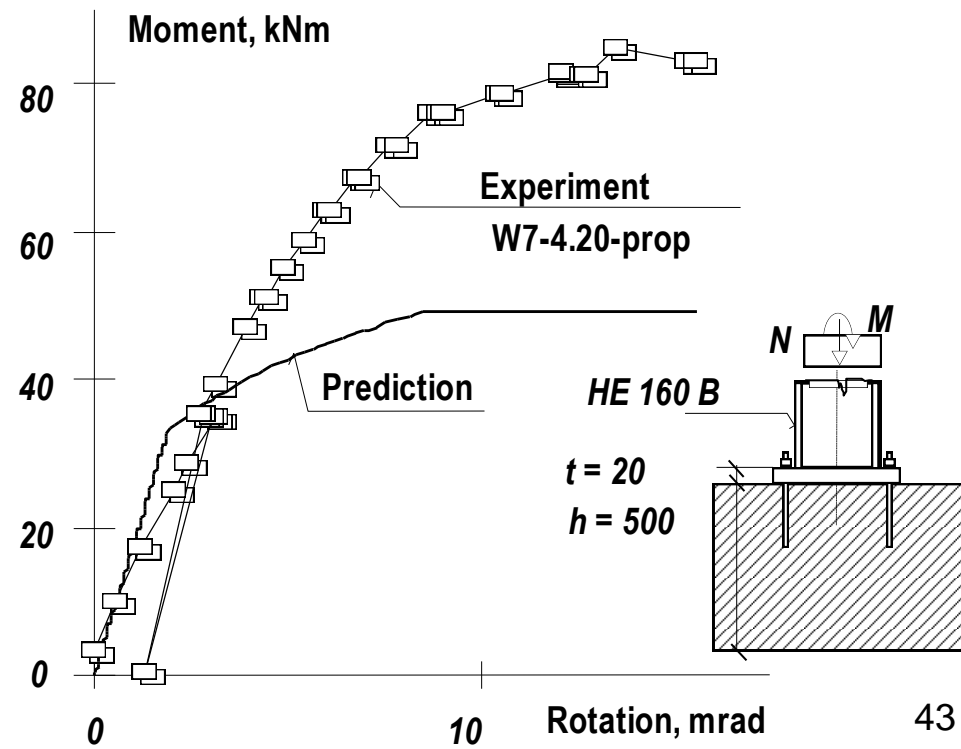
Summary



Components



Assembly



Comparison to experiment

On Figure below is validated the model of the column base proportionally loaded by moment and normal force with the bolt steel failure mode against the experiment to show the good prediction of the resistance and stiffness of the current component model.

Introduction

Anchor bolts

Classification

Assessment I

Component meth.

In compression

In tensions

▶ Assembly

Assessment II

CBFEM

Validation

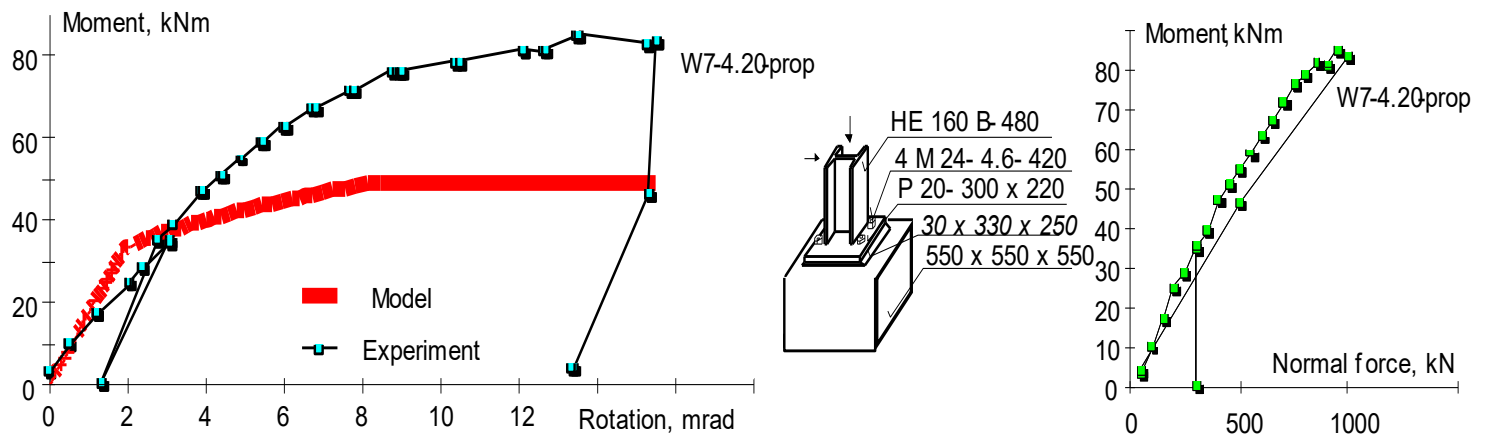
Verification

Sensitivity study

Benchmark case

Assessment III

Summary



Comparison to experiment

On Figure below is validated the model of the column base non-proportionally loaded by moment and normal force with the concrete cone failure mode against the experiment to show the good prediction of the resistance and stiffness of the current component model.

Introduction

Anchor bolts

Classification

Assessment I

Component meth.

In compression

In tensions

> Assembly

Assessment II

CBFEM

Validation

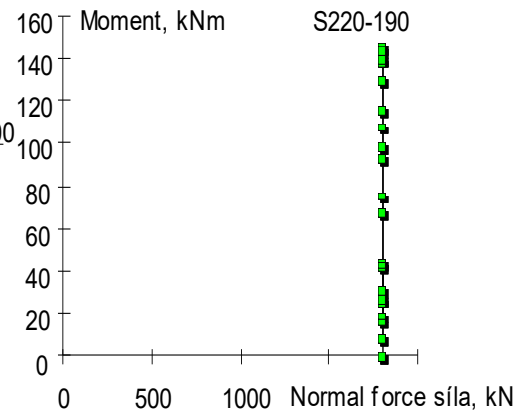
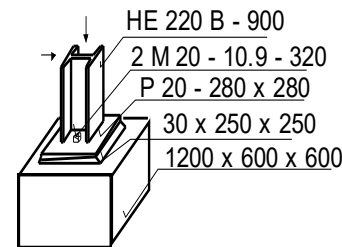
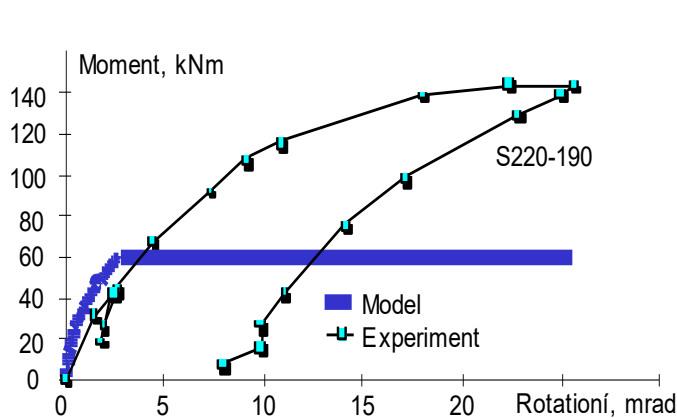
Verification

Sensitivity study

Benchmark case

Assessment III

Summary



Sensitivity study

Figure below shows the sensitivity of the bending moment resistance and the bending stiffness of the column base proportionally loaded by normal force with eccentricity. From base plate thickness are governing anchor bolts.

Introduction

Anchor bolts

Classification

Assessment I

Component meth.

In compression

In tensions

▶ Assembly

Assessment II

CBFEM

Validation

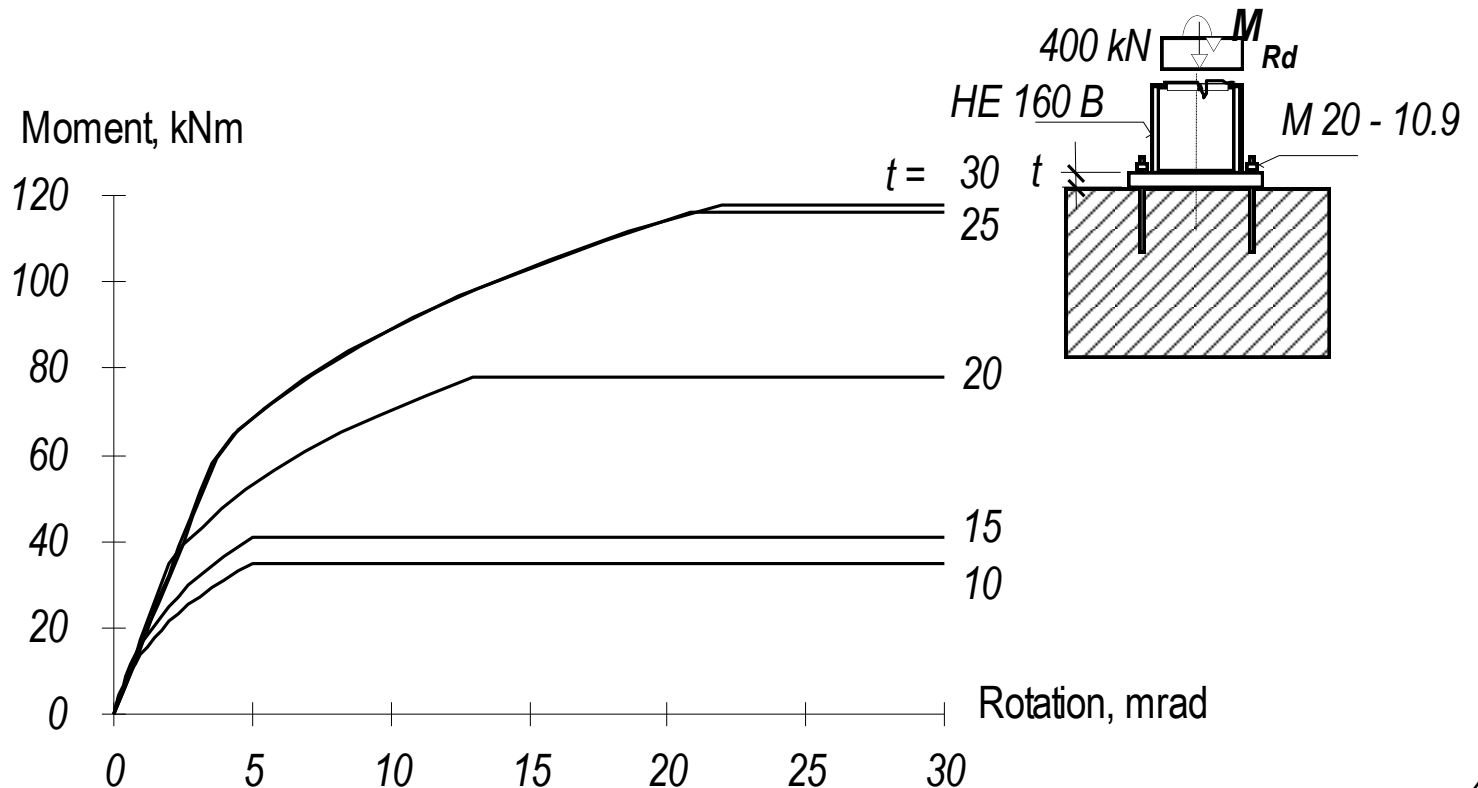
Verification

Sensitivity study

Benchmark case

Assessment III

Summary



Assessment II

Introduction

Anchor bolts

Classification

Assessment I

Component meth.

In compression

In tensions

Assembly

▶ Assessment II

CBFEM

Validation

Verification

Sensitivity study

Benchmark case

Assessment III

Summary



- What are the basic components on base plate?
- What are the major question in design of component in compression?
- What is the reason for introducing the joint coefficient?
- What is the reason of limiting the effective width of the base plate?
- What is the reason, that prying may in case of Failure mode 1-2 not develop?
- How is simplified the model of acting compression force for prediction of the column base stiffness?

Component Based FEM

Lecture 3

Column base



Concept of Component Based Finite Element Method for column bases

Introduction

Anchor bolts

Classification

Assessment I

Component meth.

In compression

In tensions

Assembly

Assessment II

CBFEM

Validation

Verification

Sensitivity study

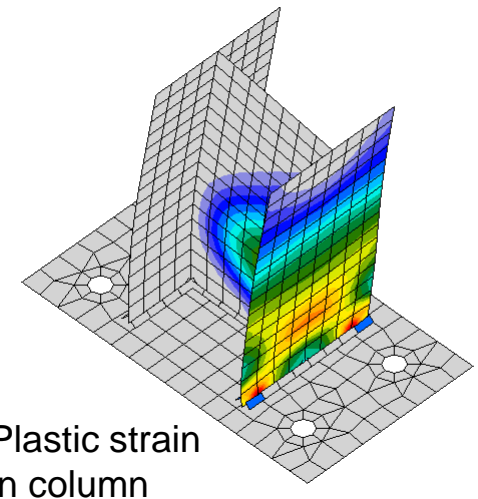
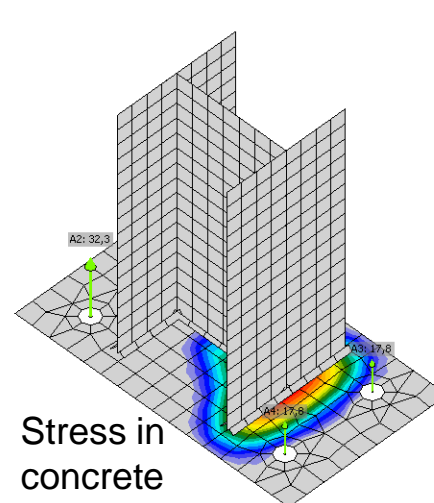
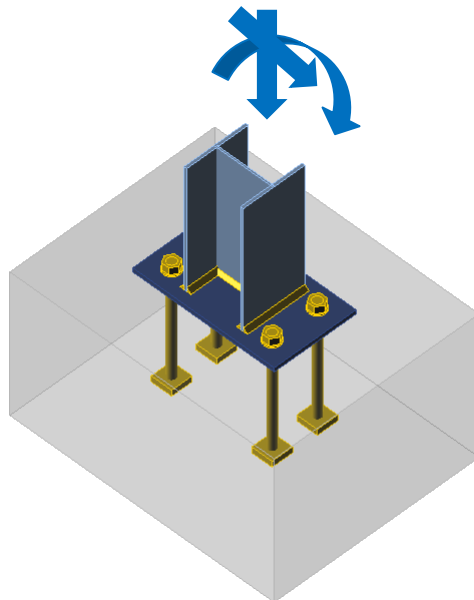
Benchmark case

Assessment III

Summary



- Steel part of column base, column base, column, base plate and stiffeners are simulated by shell models. Resistance is limited by 5% of plastic strain.
- Concrete block is taken as component with elastic-plastic surface.
- Anchor bolts/welds are modelled as components.



Component concrete in compression

For resistance is considered the part of the concrete block under effective area A_{eff} only using overlap c , where the base plate deforms in its elastic stage, following the engineering assumption formulated in EN1993-1-8:2006.

Introduction

Anchor bolts

Classification

Assessment I

Component meth.

In compression

In tensions

Assembly

Assessment II

CBFEM

Validation

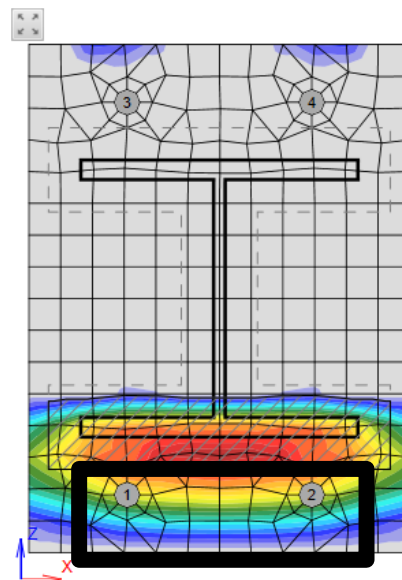
Verification

Sensitivity study

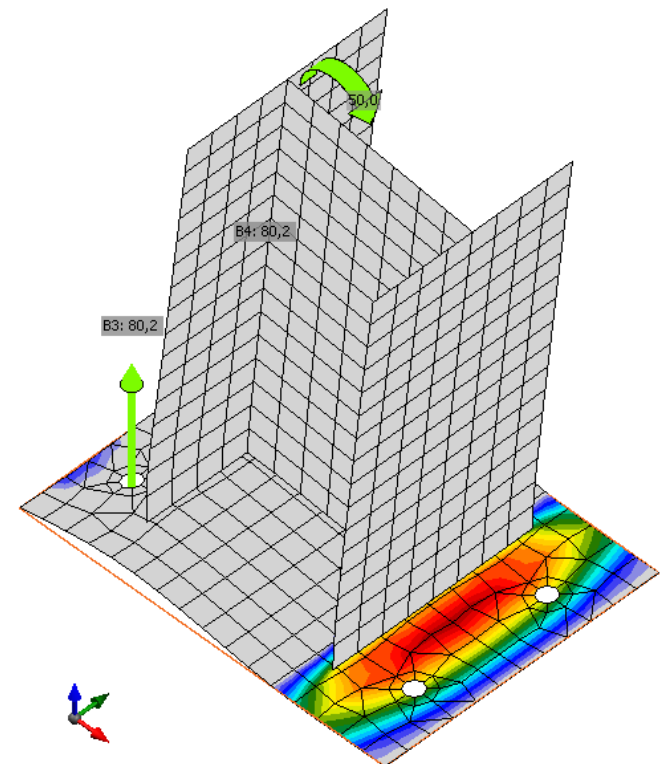
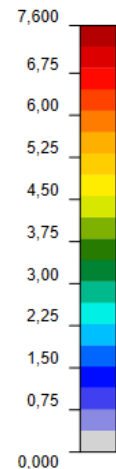
Benchmark case

Assessment III

Summary



Napětí v betonu
[MPa]



Component anchor bolt in tension

Introduction

Anchor bolts

Classification

Assessment I

Component meth.

In compression

In tensions

Assembly

Assessment II

CBFEM

Validation

Verification

Sensitivity study

Benchmark case

Assessment III

Summary

- The resistance of the anchor bolt in tension is taken from concrete components resistance and from the steel one.

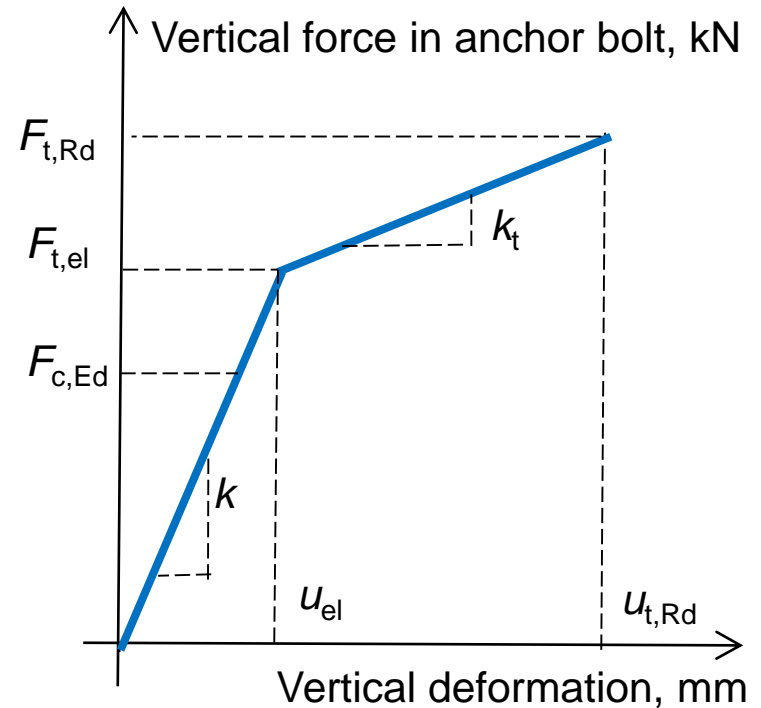
- Maximum allowed plastic strain for anchor bolts ε_{mpb} is taken as 25 % of elongation till fracture.

- The stiffness in tension is calculated as

$$k = E A_s / L_b,$$

where

A_s is tensile area of anchor bolt and L_b is the distance between the centers of the head and the bolt nut.



Component anchor bolt in shear

Introduction

Anchor bolts

Classification

Assessment I

Component meth.

In compression

In tensions

Assembly

Assessment II

CBFEM

Validation

Verification

Sensitivity study

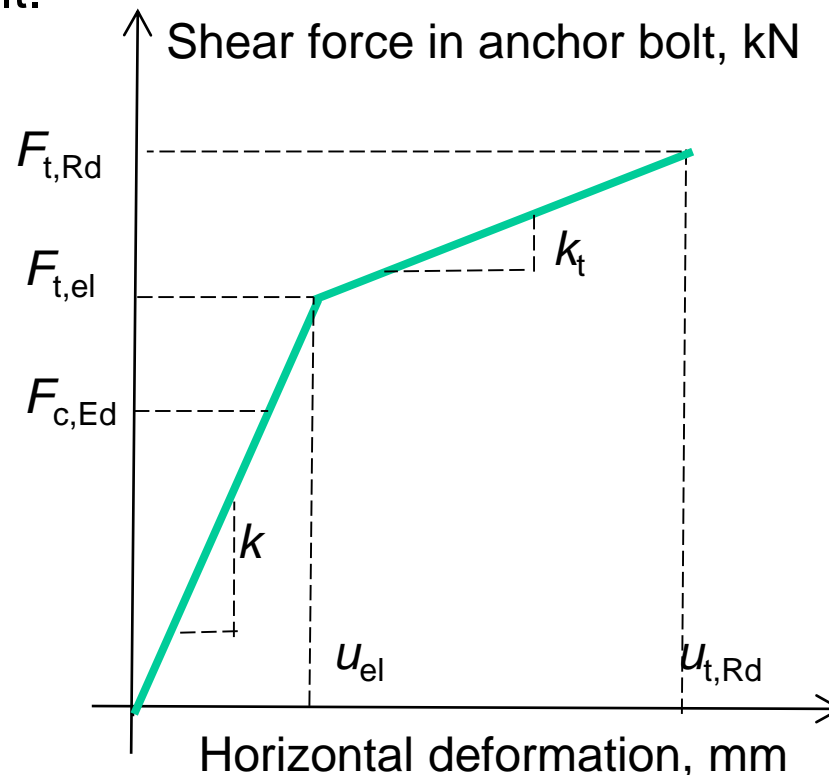
Benchmark case

Assessment III

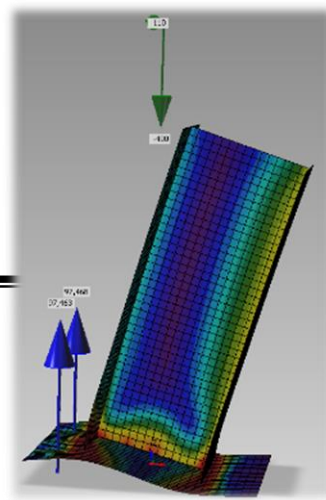
Summary



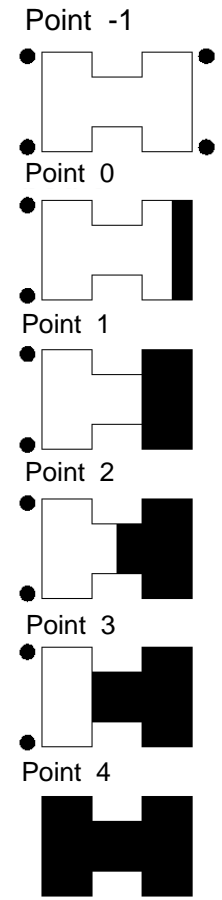
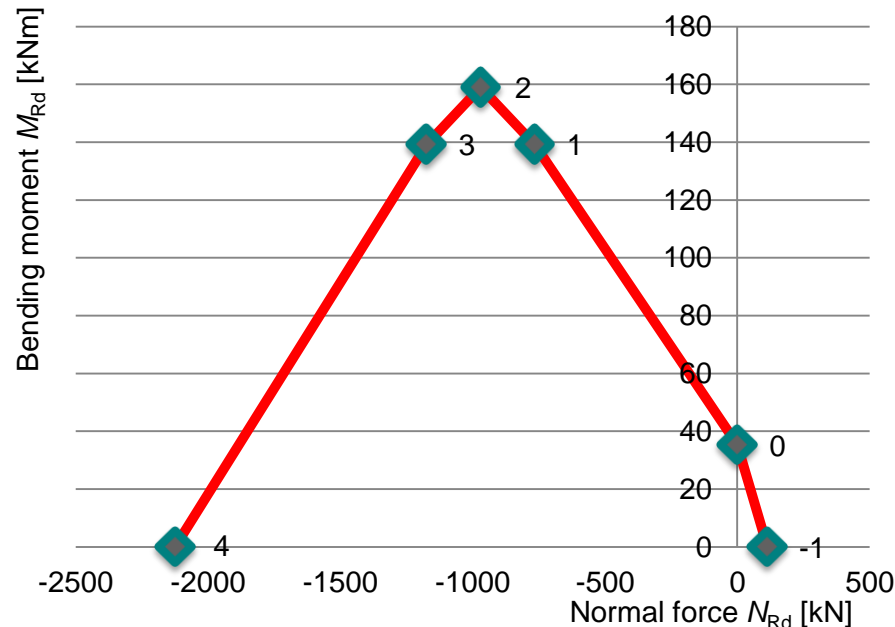
- The resistance of anchor bolt in shear is calculated according to EN1992-4:2018 and EN1993-1-8:2006.
- Stiffness of anchor bolt in shear includes bearing of concrete and bending of bolt.



Normal force and bending moment interaction diagram



- The cross section under base plate consists of anchor bolts and contact to concrete.
- The significant points on interaction diagram reflects changes of geometry of compressed part.
- The cross section exposed to normal force and bending behaves like concrete column cross section of effective contact area.



Introduction

Anchor bolts

Classification

Assessment I

Component meth.

In compression

In tensions

Assembly

Assessment II

CBFEM

Validation

Verification

Sensitivity study

Benchmark case

Assessment III

Summary



Experiments for validation

- For validation were prepared two experiments in uniaxial and two in biaxial bending at TU Brno.
- The experimental set ups is presented below.

Introduction

Anchor bolts

Classification

Assessment I

Component meth.

In compression

In tensions

Assembly

Assessment II

CBFEM

> Validation

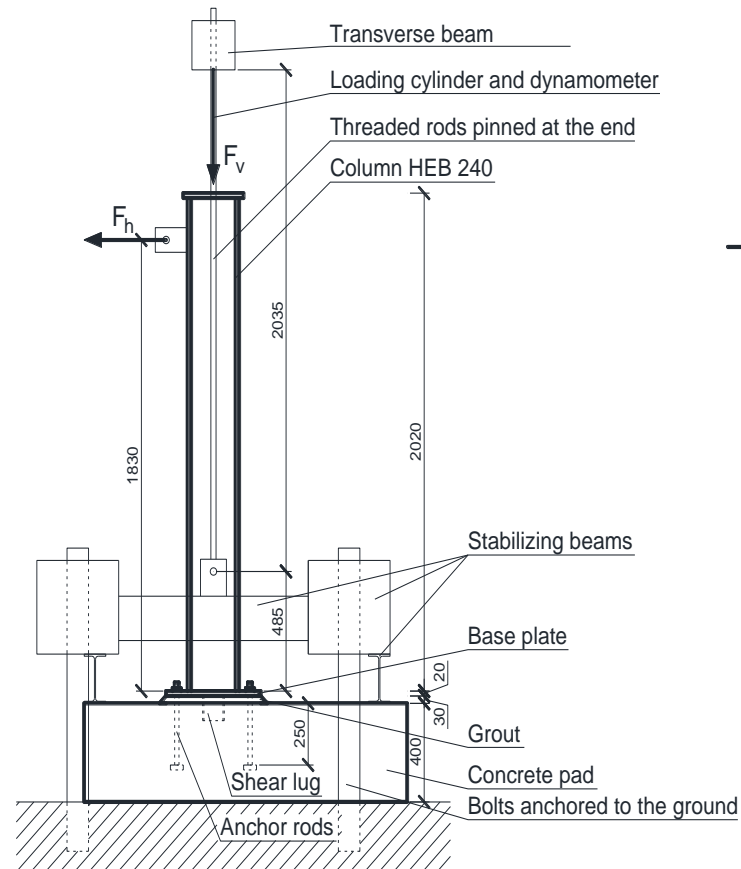
Verification

Sensitivity study

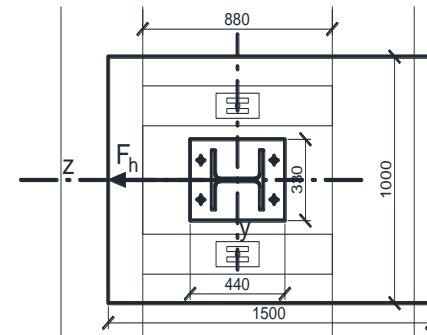
Benchmark case

Assessment III

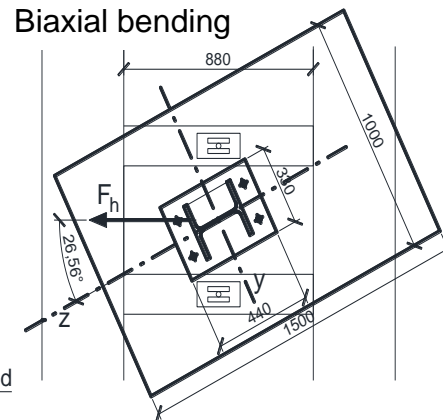
Summary



Uniaxial bending



Biaxial bending



Experiment's general data

Introduction

Anchor bolts

Classification

Assessment I

Component meth.

In compression

In tensions

Assembly

Assessment II

CBFEM

> Validation

Verification

Sensitivity study

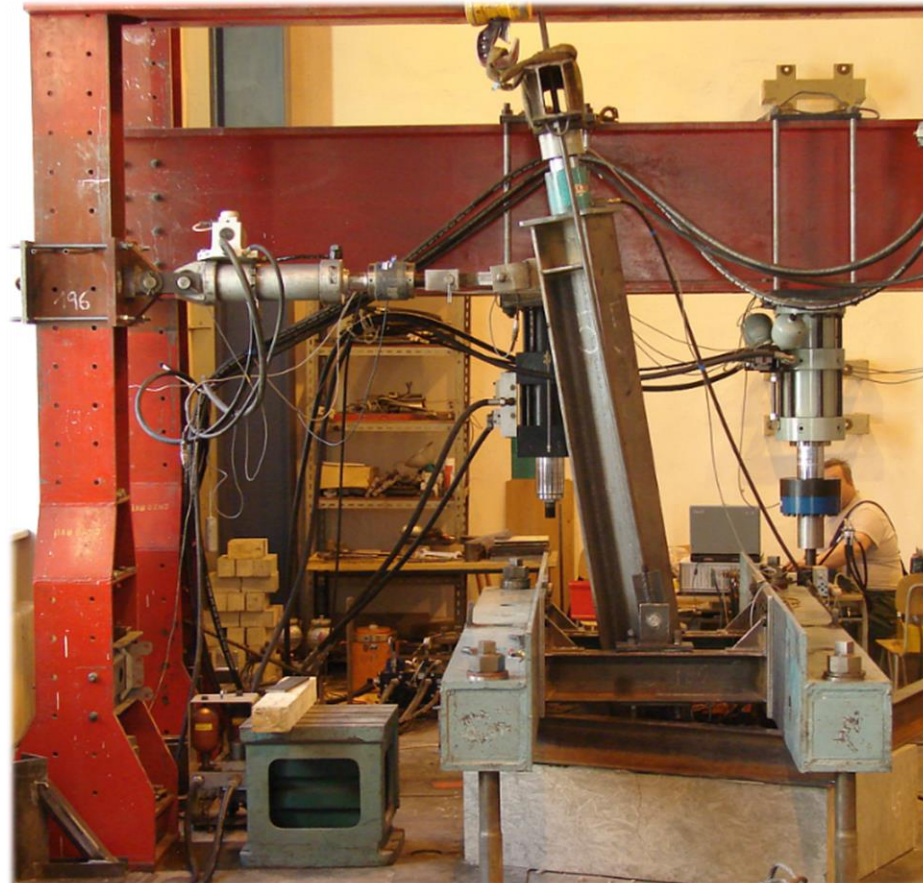
Benchmark case

Assessment III

Summary

- Column HEB 240
- Concrete block 1000x1200x9000 C20/25
- Base plate 330x440x20 S235
- Anchor bolts 4 x M20
- Grout 30 mm

Bending of set up
in biaxial bending



Behaviour of base plate in case of uniaxial bending

Introduction

Anchor bolts

Classification

Assessment I

Component meth.

In compression

In tensions

Assembly

Assessment II

CBFEM

▶ Validation

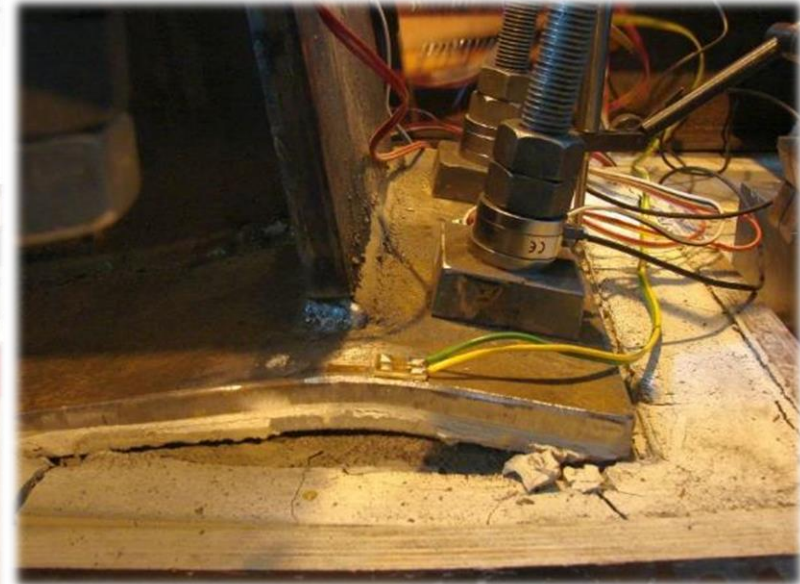
Verification

Sensitivity study

Benchmark case

Assessment III

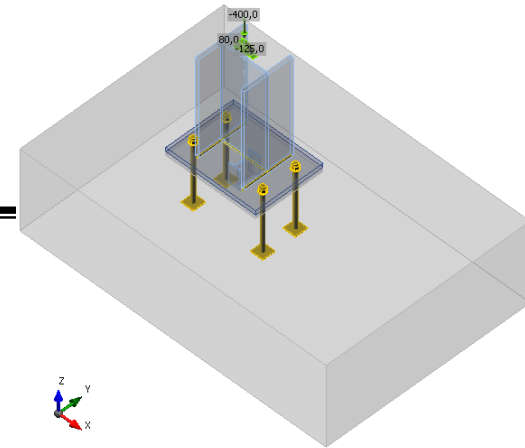
Summary



Deformed base plate

Set up in uniaxial bending

FE prediction of column base behaviour in uniaxial bending



- Figure below shows the equivalent stresses in base plate and in concrete calculated by CBFEM.

Introduction

Anchor bolts

Classification

Assessment I

Component meth.

In compression

In tensions

Assembly

Assessment II

CBFEM

> Validation

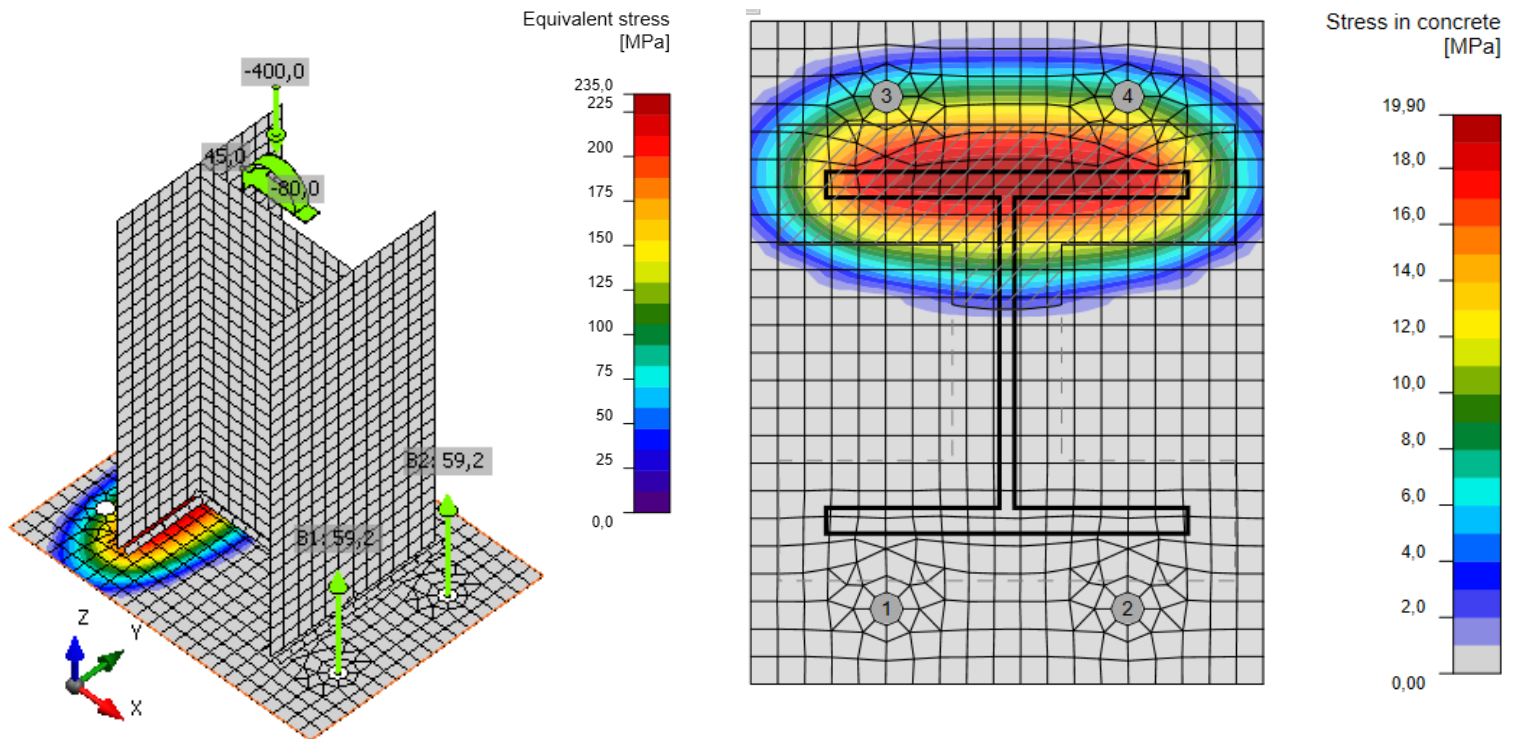
Verification

Sensitivity study

Benchmark case

Assessment III

Summary



Validation of models to experiments in uniaxial bending

Introduction

Anchor bolts

Classification

Assessment I

Component meth.

In compression

In tensions

Assembly

Assessment II

CBFEM

▶ Validation

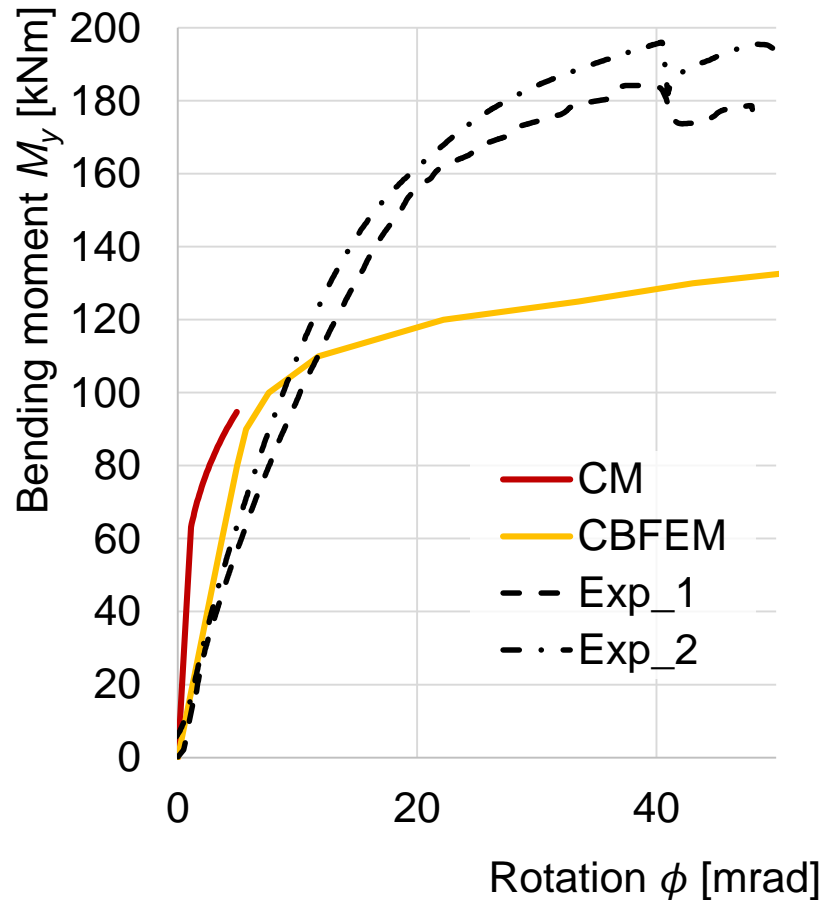
Verification

Sensitivity study

Benchmark case

Assessment III

Summary



- Figure left shows on moment rotation diagram a good prediction capacity of resistance of both Component (CM) and Component Based FE model (CBFEM).
- CBFEM compared to CM predicts higher resistance. It includes real space stress in concrete.
- The bending stiffness of experiments is lower compared to prediction.
- The predictive model shows compared to experiments the safety due to conservative proposal of anchor bolt.

Validation of CBFEM model to experiment in uniaxial bending

Introduction

Anchor bolts

Classification

Assessment I

Component meth.

In compression

In tensions

Assembly

Assessment II

CBFEM

▶ Validation

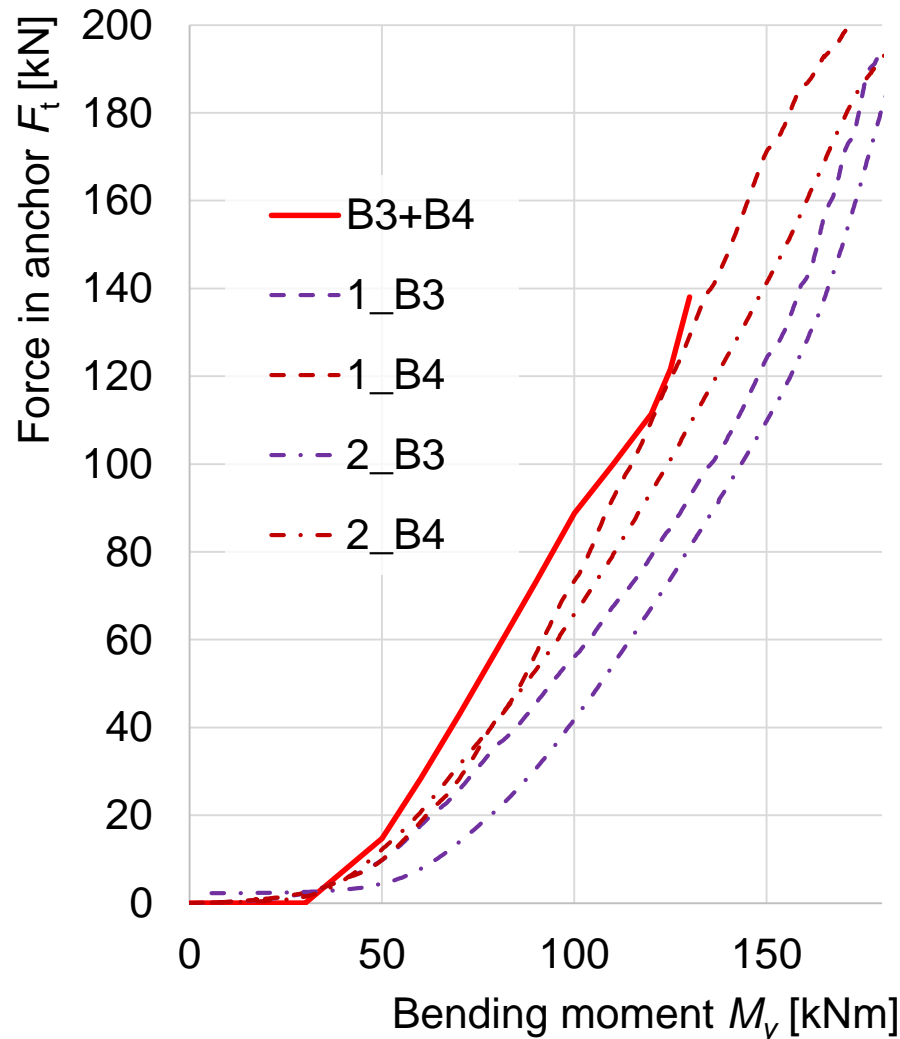
Verification

Sensitivity study

Benchmark case

Assessment III

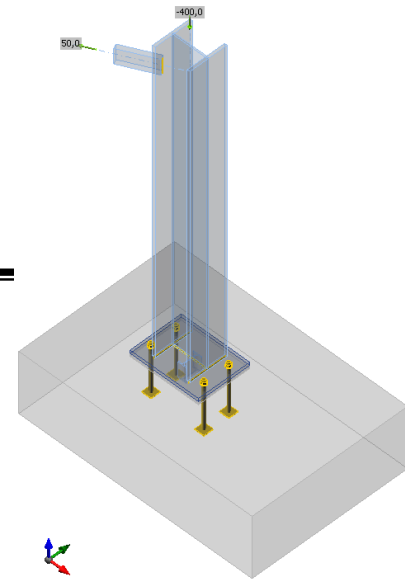
Summary



- Figure left shows on anchor force – bending moment diagram a good prediction capacity of Component Based Finite Element Model.
- The predicted bolt force is conservatively higher compared to measured ones on both experiments.

FEA model for column base in biaxial bending

- Figure below shows the equivalent stresses in base plate and in concrete in Component Based FE model



Introduction

Anchor bolts

Classification

Assessment I

Component meth.

In compression

In tensions

Assembly

Assessment II

CBFEM

▶ Validation

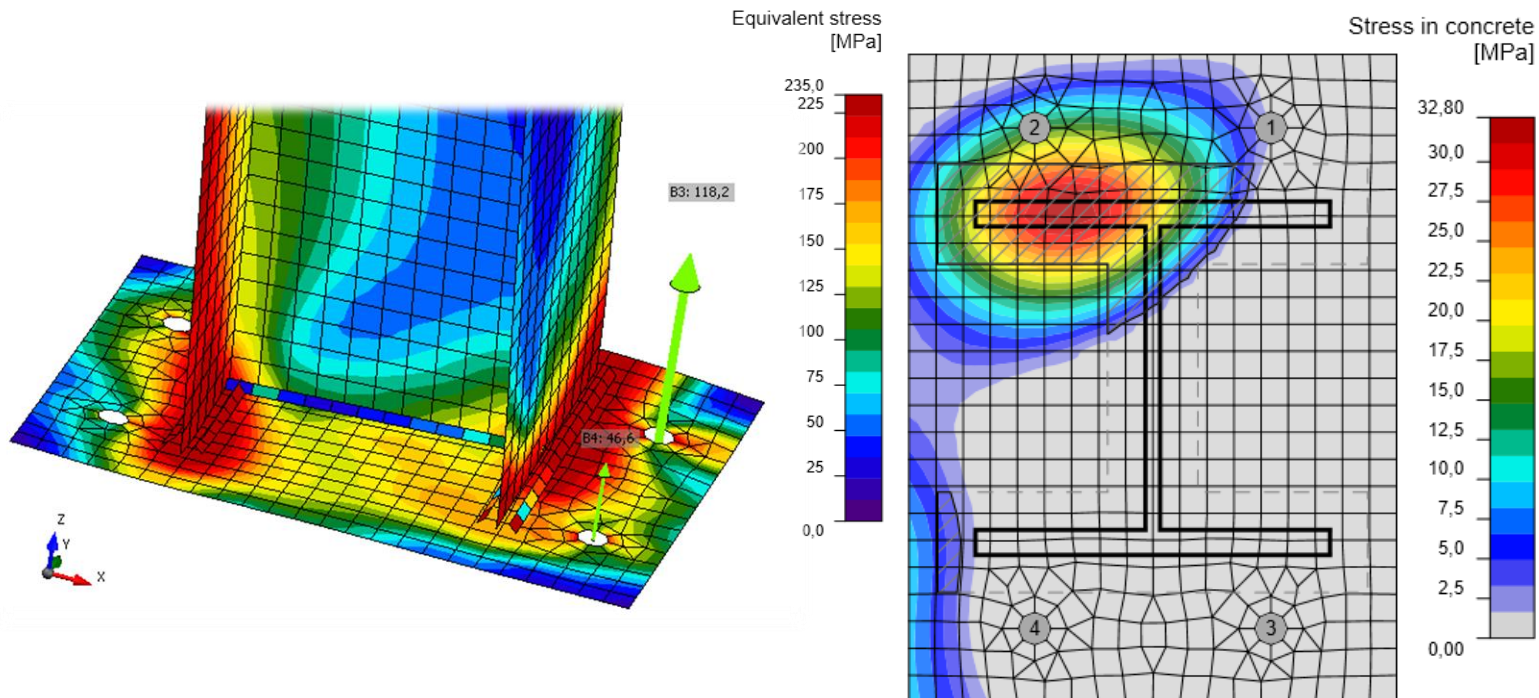
Verification

Sensitivity study

Benchmark case

Assessment III

Summary



Validation of model to experiments in biaxial bending

Introduction

Anchor bolts

Classification

Assessment I

Component meth.

In compression

In tensions

Assembly

Assessment II

CBFEM

Validation

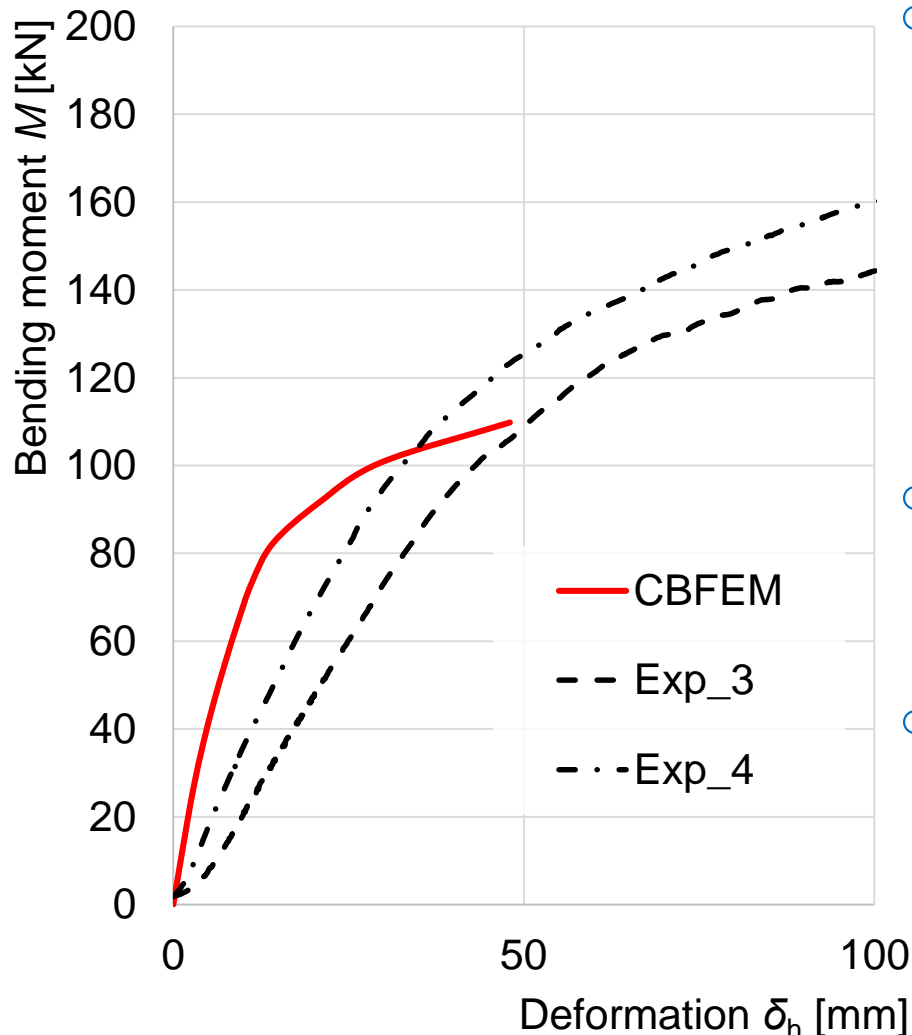
Verification

Sensitivity study

Benchmark case

Assessment III

Summary



- Figure left shows on moment rotation diagram a good prediction capacity of resistance of Component Based FE model.
- The bending stiffness of experiments is lower compared to prediction.
- The predictive model shows compared to experiments the safety due to a conservative proposal of anchor bolt.

Validation of CBFEM model to experiment in uniaxial bending

Introduction

Anchor bolts

Classification

Assessment I

Component meth.

In compression

In tensions

Assembly

Assessment II

CBFEM

▶ Validation

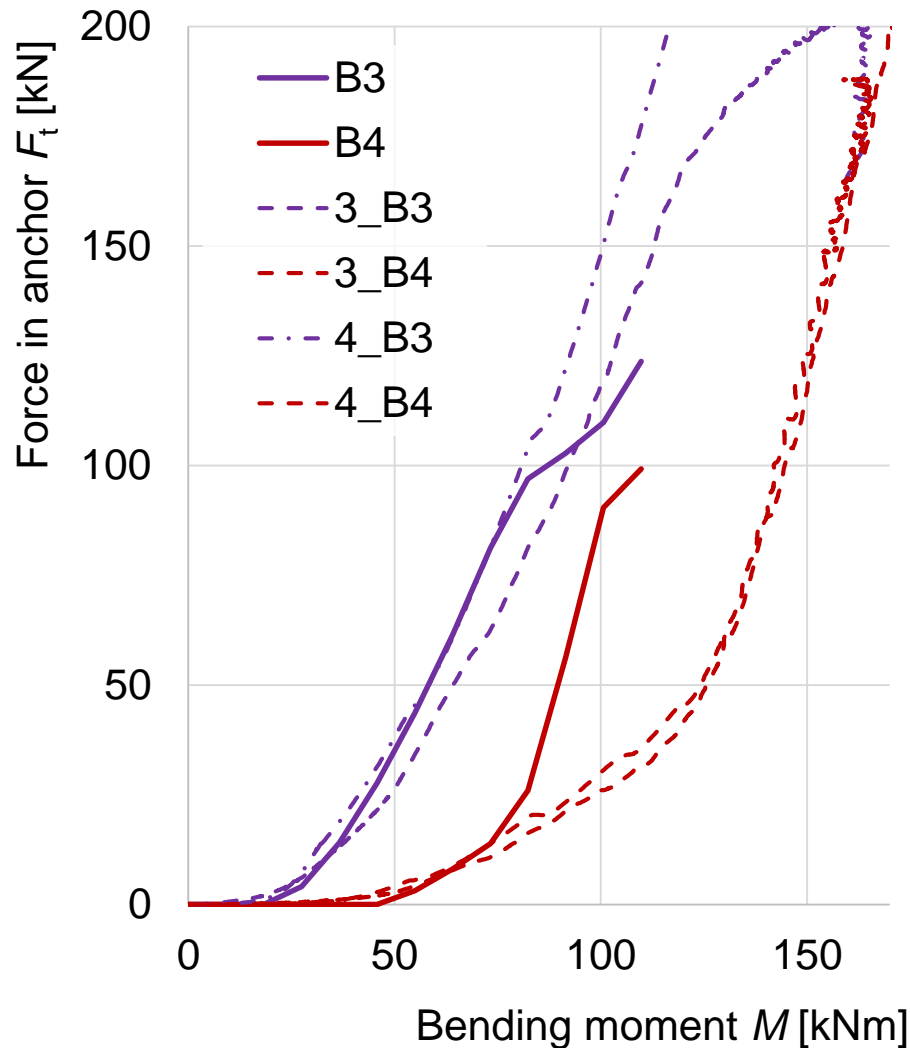
Verification

Sensitivity study

Benchmark case

Assessment III

Summary



- Figure left shows on the anchor forces – bending diagram a good prediction capacity of Component Based FE model for the most loaded anchor bolt.
- The predicted bolt force is conservatively higher compared to the measured ones.

Verification

column base for SHS 160

- In following example, the column from square hollow section SHS 150x16 is connected to concrete block with the area dimensions $a' = 750$ mm, $b' = 750$ mm and height $h = 800$ mm from concrete grade C20/25 by the base plate $a = 350$ mm; $b = 350$ mm; $t = 20$ mm from steel S420. Anchor bolts are designed 4 x M20, $A_s = 245$ mm² with head diameter $a = 60$ mm from steel 8.8 with offset at top 50 mm and left -20 mm. Grout has the thickness of 30 mm.

Introduction

Anchor bolts

Classification

Assessment I

Component meth.

In compression

In tensions

Assembly

Assessment II

CBFEM

Validation

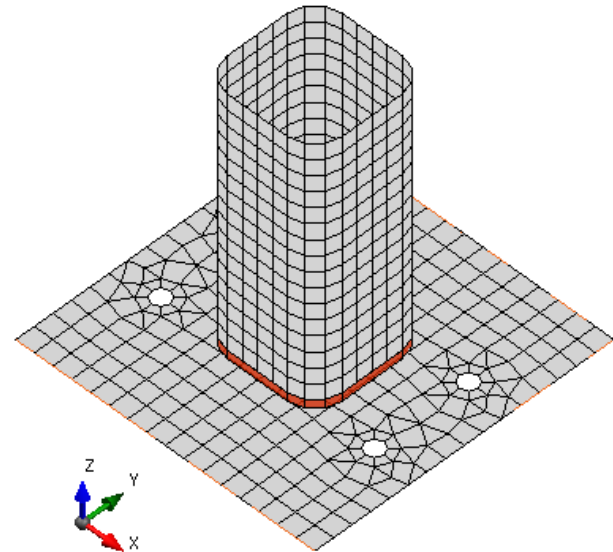
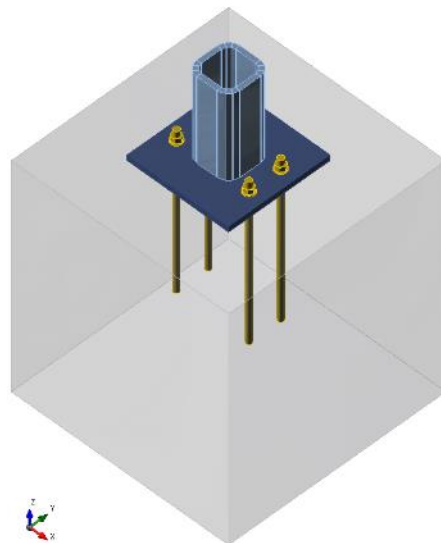
› Verification

Sensitivity study

Benchmark case

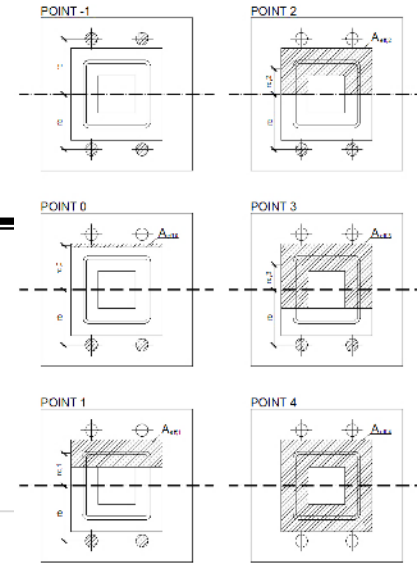
Assessment III

Summary



Bending moment - normal force interaction diagram

- The resistance of column base predicted by CBFEM is compared to CM on moment – normal force interaction diagram for base plate 10 mm in Figure below.



Introduction

Anchor bolts

Classification

Assessment I

Component meth.

In compression

In tensions

Assembly

Assessment II

CBFEM

Validation

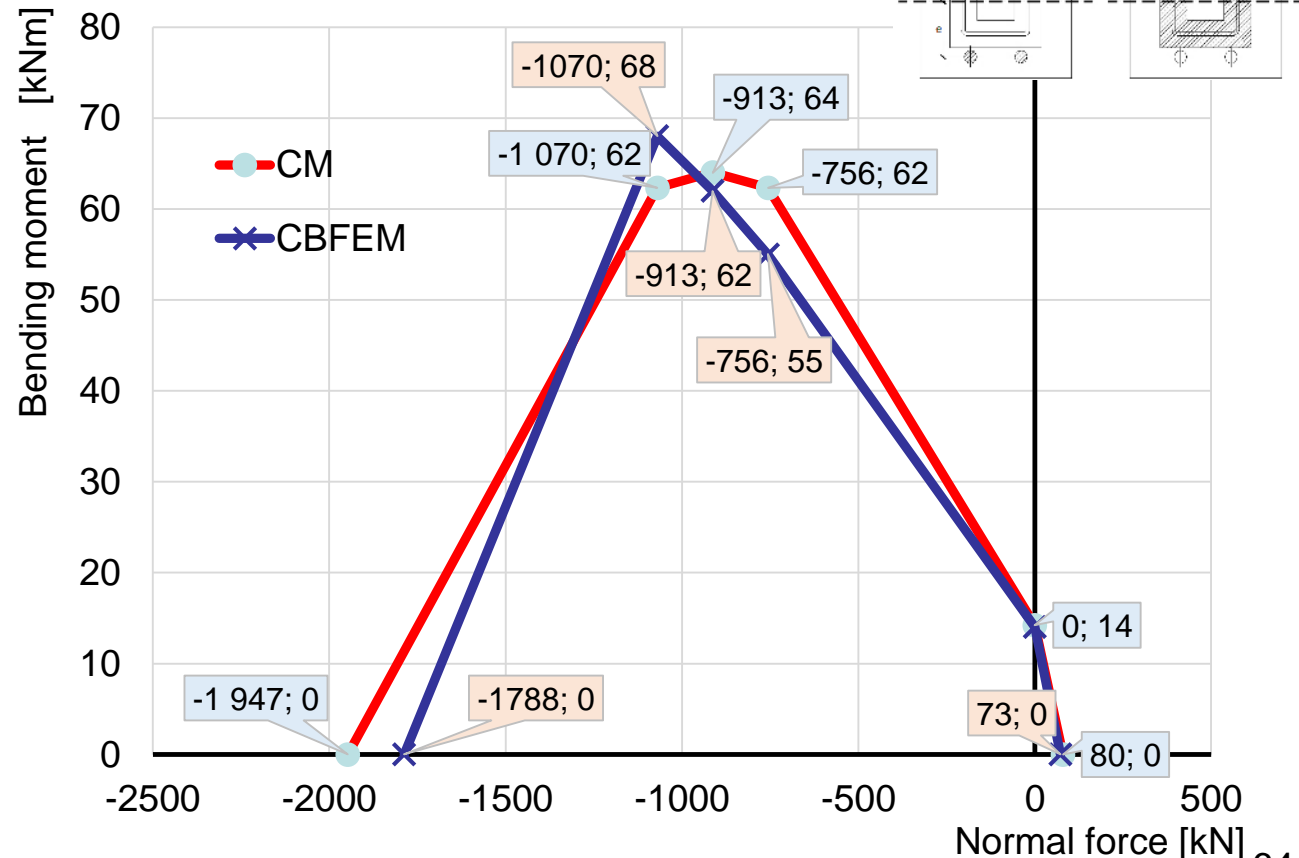
Verification

Sensitivity study

Benchmark case

Assessment III

Summary



Significant points

on the bending moment – normal force interaction diagram

- The equivalent stresses at the edge of the thin base plate (10 mm) loaded in pure tension show the plate contact and possible development of prying forces.

Introduction

Anchor bolts

Classification

Assessment I

Component meth.

In compression

In tensions

Assembly

Assessment II

CBFEM

Validation

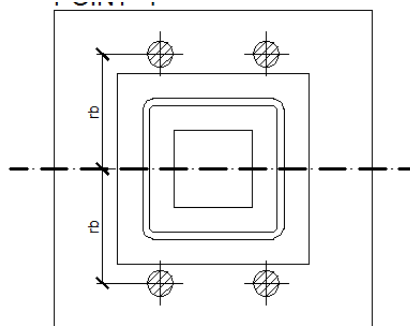
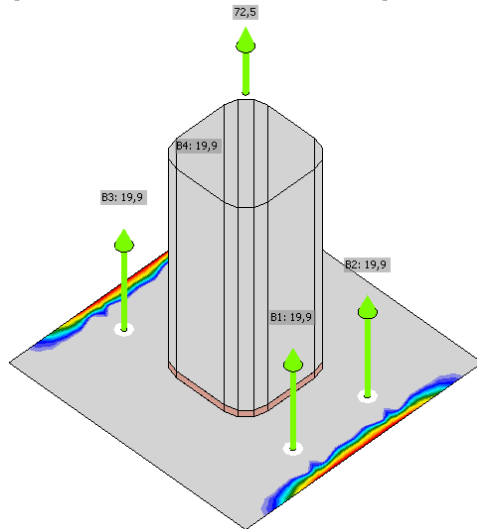
Verification

Sensitivity study

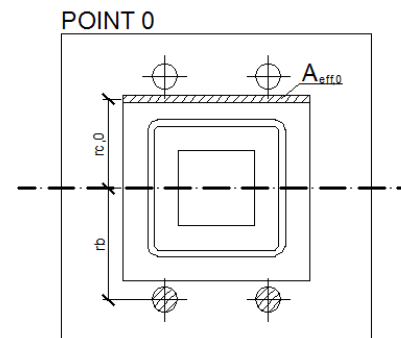
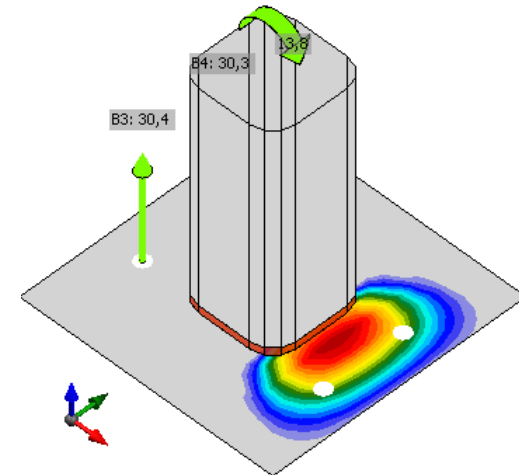
Benchmark case

Assessment III

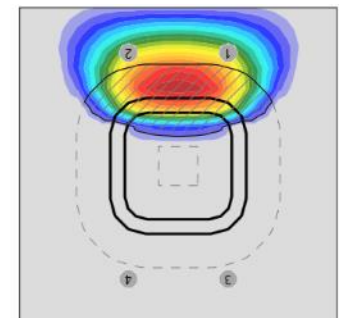
Summary



Pure tension



Pure bending



Significant points

on the bending moment – normal force interaction diagram

- The equivalent stresses and the design effective area of the contact of base plate to concrete block.

Introduction

Anchor bolts

Classification

Assessment I

Component meth.

In compression

In tensions

Assembly

Assessment II

CBFEM

Validation

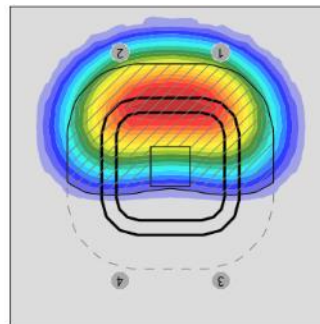
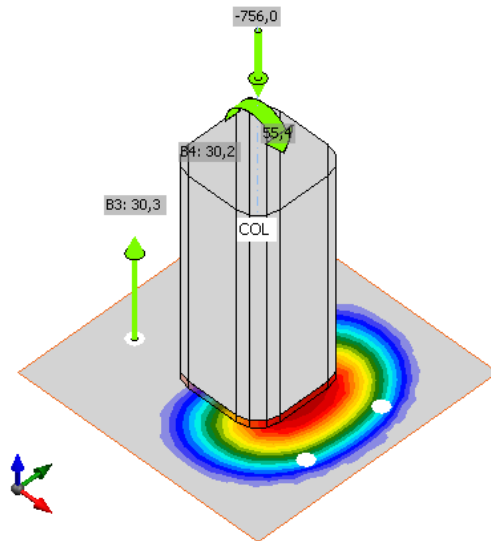
Verification

Sensitivity study

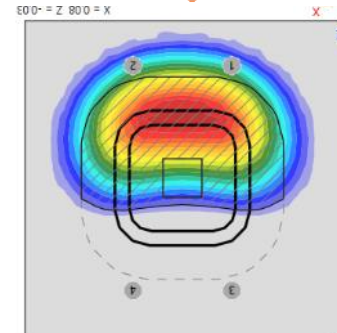
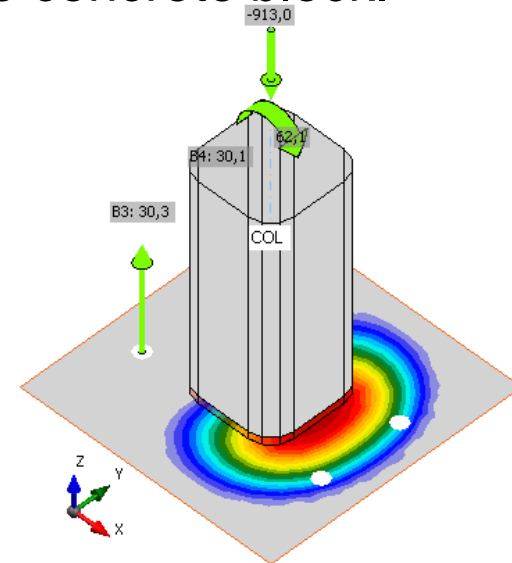
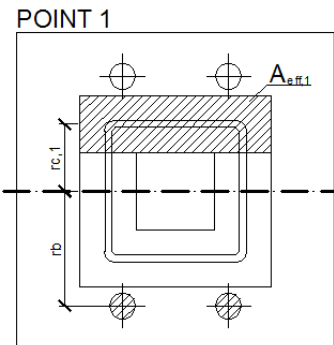
Benchmark case

Assessment III

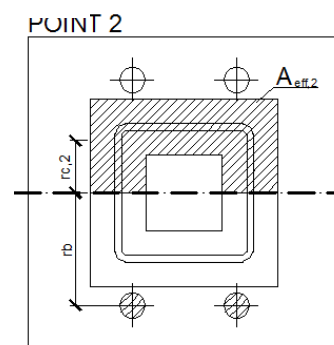
Summary



Flange in compression



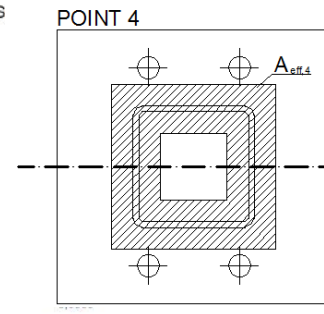
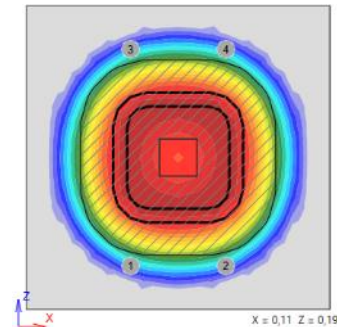
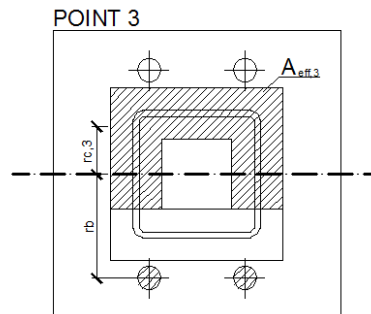
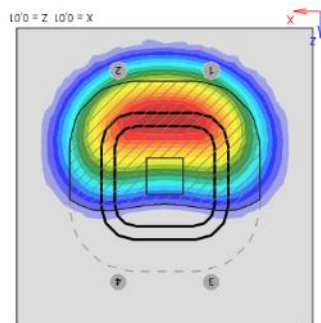
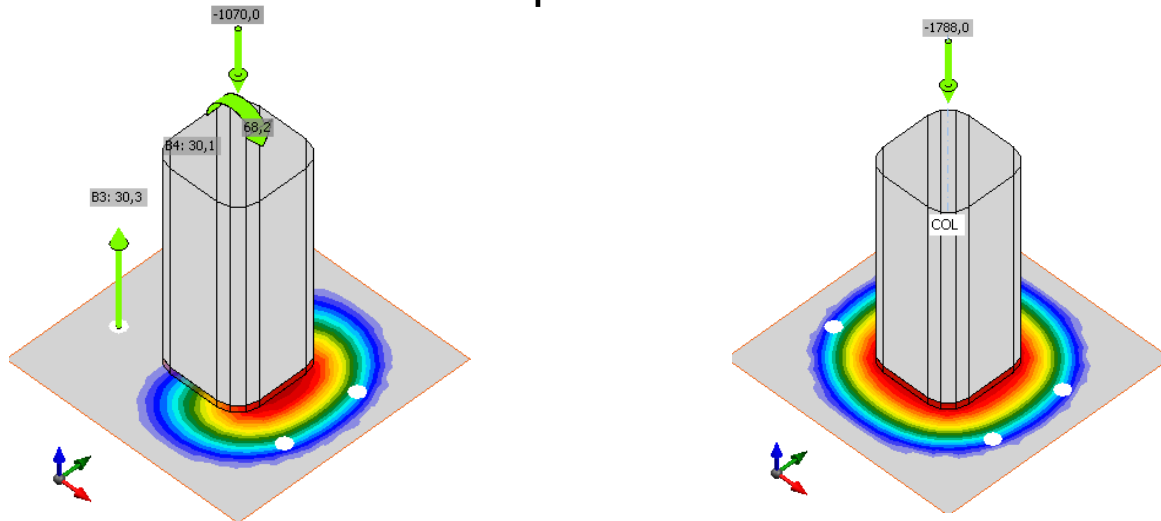
Half of cross section in compression



Significant points

on the bending moment – normal force interaction diagram

- The equivalent stresses and the design effective area of the contact of base plate to concrete block.



Webs in compression

Pure compression

Introduction

Anchor bolts

Classification

Assessment I

Component meth.

In compression

In tensions

Assembly

Assessment II

CBFEM

Validation

Verification

Sensitivity study

Benchmark case

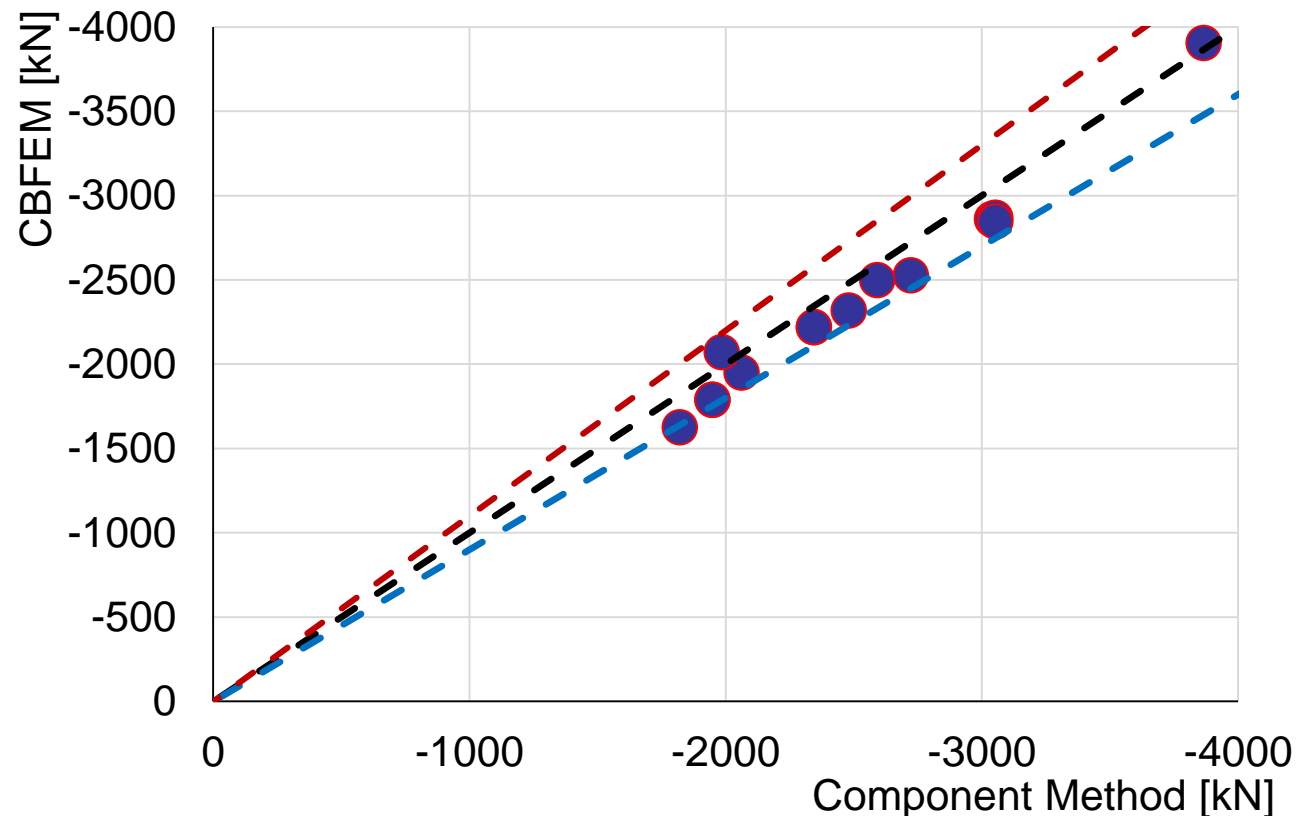
Assessment III

Summary



Verification for pure compression

- The resistance of column base predicted by CBFEM is compared to resistance predicted by CM in case of pure compression in Figure below.
- The graph shows similar prediction capability of both methods.



Introduction

Anchor bolts

Classification

Assessment I

Component meth.

In compression

In tensions

Assembly

Assessment II

CBFEM

Validation

Verification

Sensitivity study

Benchmark case

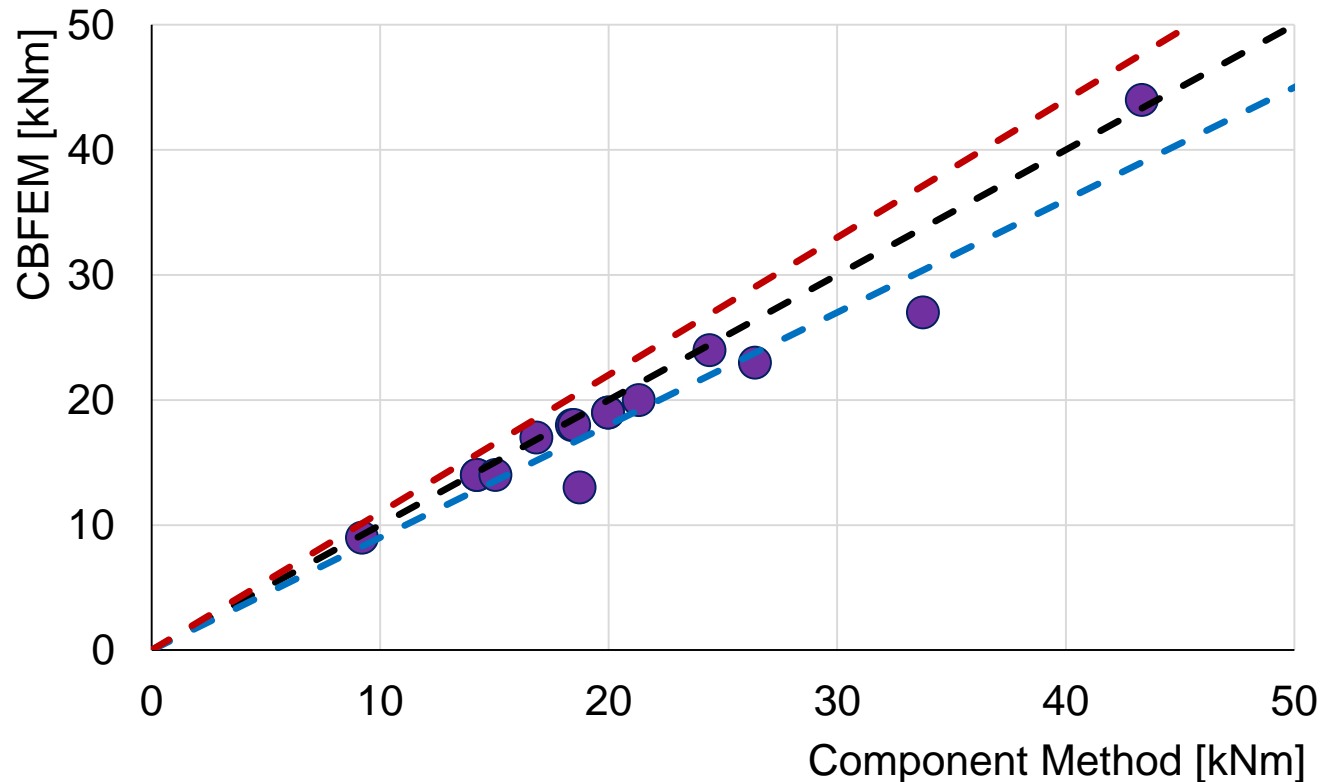
Assessment III

Summary



Verification for pure bending

- The resistance of column base predicted by CBFEM is compared to resistance predicted by CM in case of pure bending in Figure below.
- The graph shows similar prediction capability of both methods. CBFEM predicts a bit higher resistance due to taking into account prying forces.



Introduction

Anchor bolts

Classification

Assessment I

Component meth.

In compression

In tensions

Assembly

Assessment II

CBFEM

Validation

Verification

Sensitivity study

Benchmark case

Assessment III

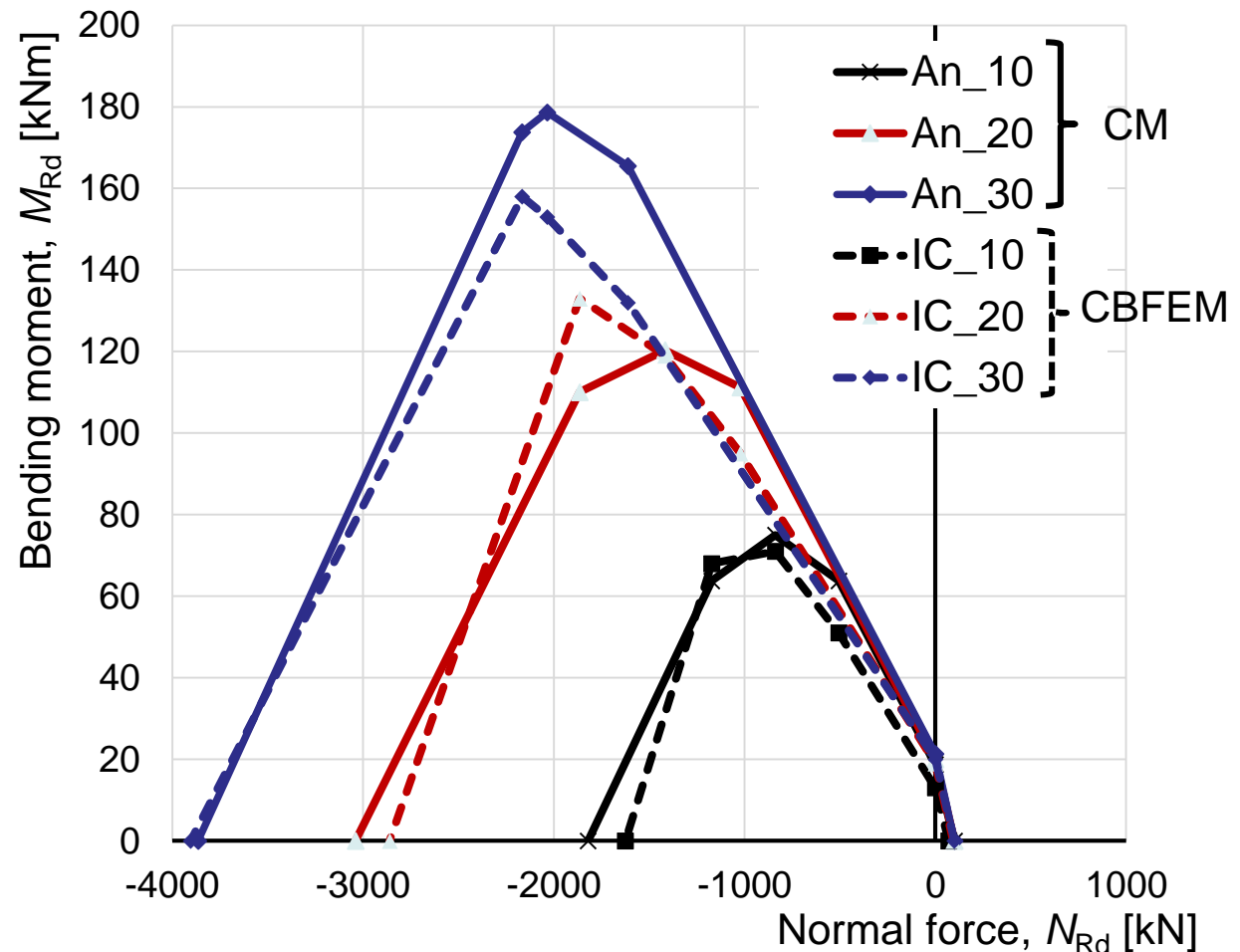
Summary



Sensitivity study

base plate thickness; 10; 20; 30 mm

- The resistance of column base predicted by CBFEM is compared to CM on moment – normal force interaction diagram for base plates 10 mm, 20 and 30 mm in Figure below.



Introduction

Anchor bolts

Classification

Assessment I

Component meth.

In compression

In tensions

Assembly

Assessment II

CBFEM

Validation

Verification

Sensitivity study

Benchmark case

Assessment III

Summary



Open section column loaded in compression

Introduction

Anchor bolts

Classification

Assessment I

Component meth.

In compression

In tensions

Assembly

Assessment II

CBFEM

Validation

Verification

Sensitivity study

► Benchmark case

Assessment III

Summary

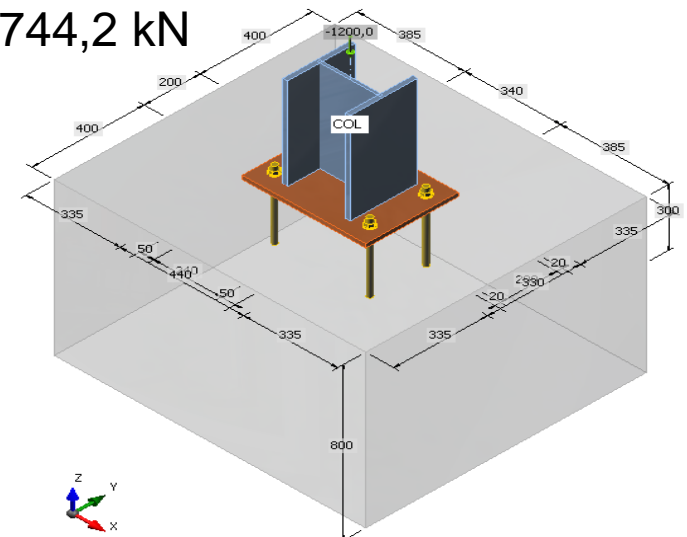


Inputs

- Column, cross section HEB 240, steel S235
- Base plate, thickness 20 mm, offsets top 100 mm, left 45 mm, steel S235
- Concrete block, concrete C20/25, offset 335 mm, depth 800 mm, grout thickness 30 mm, grout quality C20/25
- Anchor bolt, M20 8.8

Output

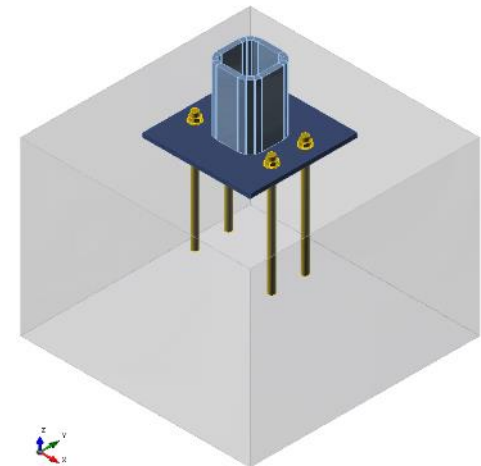
- Axial force resistance $F_{j,Rd} = -1744,2 \text{ kN}$



Hollow section column loaded in compression and bending

Inputs

- Column cross section: SHS 150/16, steel S460
- Base plate: thickness 20 mm, offsets at top 100 mm, on left 100 mm, welds 8 mm, steel S460
- Anchor bolts: M20 8.8., anchoring length 400 mm, offsets top layers 50 mm, left layers -20 mm, shear plane in thread
- Foundation block: concrete C20/25, offset 200 mm, depth 800 mm, shear force transferred by friction
- Grout thickness 30 mm
- Loading
 - Axial force $N = -913$ kN
 - Bending moment $M_y = 62,1$ kNm



Introduction

Anchor bolts

Classification

Assessment I

Component meth.

In compression

In tensions

Assembly

Assessment II

CBFEM

Validation

Verification

Sensitivity study

► Benchmark case

Assessment III

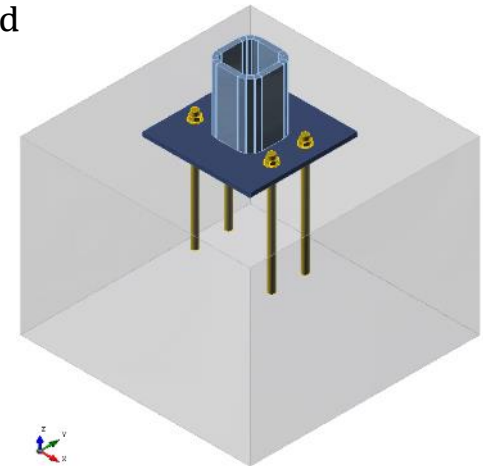
Summary



Hollow section column loaded in compression and bending

Outputs

- Plate $\varepsilon = 0,3 \%$;
- Anchor bolts 99,7 % ($N_{Ed} = 30,3 \text{ kN} \leq N_{Rd,c} = 30,4 \text{ kN}$
(critical component concrete cone breakout))
- Welds 57,7 %
($\sigma_{Ed} = 239,9 \text{ MPa} \leq \sigma_{Rd} = 416 \text{ MPa}$)
- Concrete block 83,0 %
($\sigma = 33,4 \text{ MPa} \leq f_{jd} = 40 \text{ MPa}$)
- Secant rotational stiffness $S_{js} = 7,4 \frac{\text{MNm}}{\text{rad}}$



Introduction

Anchor bolts

Classification

Assessment I

Component meth.

In compression

In tensions

Assembly

Assessment II

CBFEM

Validation

Verification

Sensitivity study

► Benchmark case

Assessment III

Summary



Assessment III

Introduction

Anchor bolts

Classification

Assessment I

Component meth.

In compression

In tensions

Assembly

Assessment II

CBFEM

Validation

Verification

Sensitivity study

Benchmark case

Assessment III

Summary

- How is limited in CBFEM the resistance of base plate?
- How is modelled in CBFEM for column base design the concrete block?
- Which part under base plate is considered in roe resistance?
- How is limited the design of anchor bolts?
- What is difference between design of column base and concrete column in compression?
- What is the reason for higher resistance of column base in tension with base plate in failure mode 1-2?



Summary

Lecture 3

Column base



Summary

Introduction

Anchor bolts

Classification

Assessment I

Component meth.

In compression

In tensions

Assembly

Assessment II

CBFEM

Validation

Verification

Sensitivity study

Benchmark case

Assessment III

- The column bases are designed with plastic distribution of forces under base plate.
- Concrete in compression under the base plate is designed taking into account its spatial stress.
- The homogenous stress under the flexible base plate is expected for elastically deformed base plate.
- Column bases are often exposed to interaction of normal force and bending moments.

> Summary



Summary

Introduction

Anchor bolts

Classification

Assessment I

Component meth.

In compression

In tensions

Assembly

Assessment II

CBFEM

Validation

Verification

Sensitivity study

Benchmark case

Assessment III

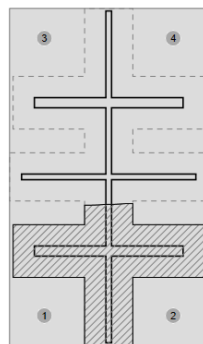
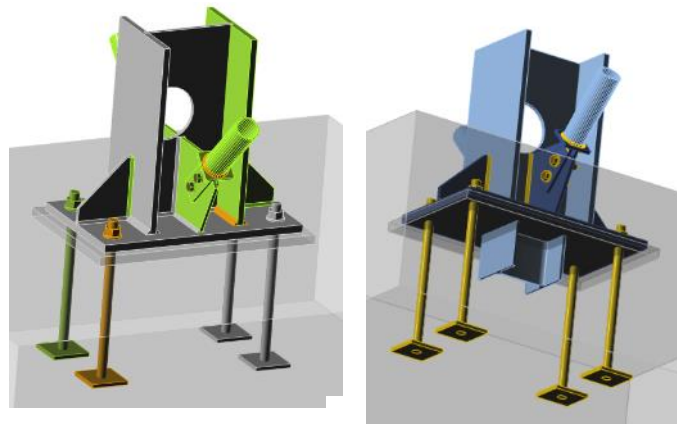
- If more anchor bolts rows are activated, only the steel failure of anchor bolt is allowed to ensure the ductile failure.
- In Component Method limits the prying of anchor bolts failure mode 1-2.
- In CBFEM are taken into account prying forces. if it decides on the bearing capacity and the anchoring to concrete is strong enough, the predicted resistance may be higher.

> Summary

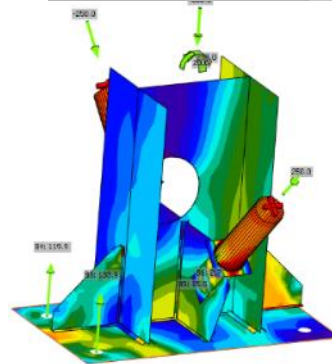


What is the major reason for using CBFEM for column bases?

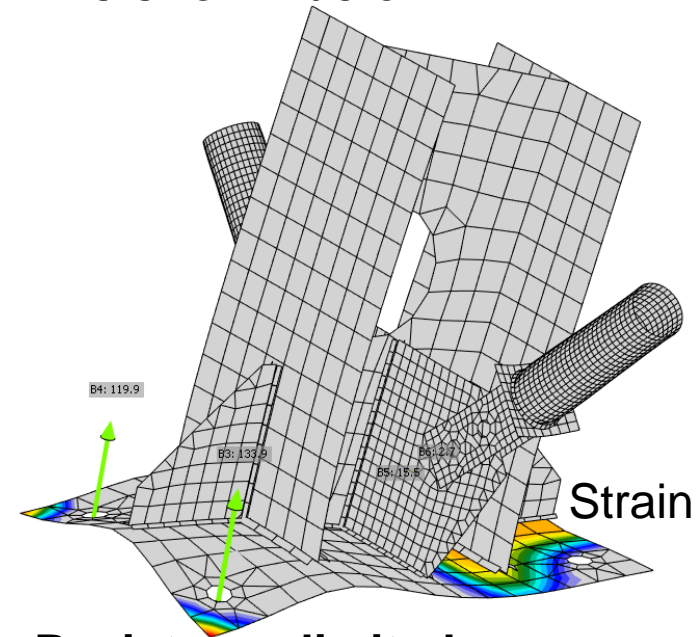
- **Generally loaded complex column base** is very difficult to design by Component Method.
- The example of design by CBFEM is shown below.



Foot print



Stress



- **Resistance limited by anchor bolt failure**
 - Strain 3,4 %
 - Prying forces are taken into account

Introduction

Anchor bolts

Classification

Assessment I

Component meth.

In compression

In tensions

Assembly

Assessment II

CBFEM

Validation

Verification

Sensitivity study

Benchmark case

Assessment III

Summary





Thank your for attention

URL: steel.fsv.cvut.cz

**František Wald, Martin Vild, Marta Kuříková,
Luboš Šabatka, Jaromír Kabeláč, Drahoš Kojala**

Notes to users of the lecture

- Subject Design of column bases of steel structures.
- Lecture duration 60 mins
- Keywords Civil Engineering, Structural design, Steel structure, Column base, Steel to concrete connection, Joint, Component Method, Component based Finite Element Method, Anchor bolts, Eurocode.
- Aspects to be discussed Design of anchor bolts, Reasons and methods of classification, Principles of CM, Components in column base for CM, Components in column base for CBFEM, Principles of CBFEM, Spatial stresses in concrete block, Model of stress distribution under the base plate.
- Further reading relevant documents in references and relevant European design standards, Eurocodes including National Annexes.
- Preparation for tutorial exercise see examples in References.

Sources



BENCHMARK CASES
FOR ADVANCED DESIGN
OF STRUCTURAL STEEL
CONNECTIONS

Frank Wald et al.

- Bajer M., Vild M., Barnat J., Holomek J., Influence of Selected Parameters on Design Optimisation of Anchor Joint, in *Steel, Space and Composite Structures*, Singapore, 2014, 149–158.
- Kuhlman U., Krimpmann M., Hofmann J., Wald F., et al, *Design of steel-to-concrete joints, Design manual II*, ECCS Brussels, 2013.
- Steenhuis M., Wald F., Sokol Z., Stark J.W.B., Concrete in Compression and Base Plate in Bending, *Heron*, 2008, 53, 1/2, 51-68.
- Wald F. et al, *Benchmark cases for advanced design of structural steel connections*, Česká technika ČVUT, 2016.
- Wald F., Gödrich L., Šabatka L., Kabeláč J., Navrátil J., Component Based Finite Element Model of Structural Connections, in *Steel, Space and Composite Structures*, Singapore, 2014, 337-344.
- Wald F., Sokol Z., Steenhuis M., Jaspert, J.P., Component Method for Steel Column Bases, *Heron*, 53, 2008, 3-20.
- Wald F., Sokol, Z., Jaspert J.P., Base Plate in Bending and Anchor Bolts in Tension, *Heron*, 2008, 53, 1/2, 21-50.

Standards

- CEN/TR 17081:2018 Design of fastenings for use in concrete - *Plastic design of fastenings with headed and post-installed fasteners*, CEN, Brussels, 2018, ready for release.
- EN1992-1-1:2006, Eurocode 2, Design of concrete structures, Part 1-1, *General rules and rules for buildings*, CEN, Brussels, 2006.
- EN1992-4:2018 Eurocode 2, Design of concrete structures – Part 4: Design of fastenings for use in concrete , CEN, Brussels, 2018, ready for release.
- EN1993-1-8:2006, Eurocode 3, Design of steel structures, Part 1-8, *Design of joints*, CEN, Brussels, 2006.
- EN1994-1-1:2010, Eurocode 4, Design of composite steel and concrete structures, Part 1-1, *General rules and rules for buildings*, CEN, 2010.
- ETAG 001: 2010, *Guideline for European Technical Approval of Metal Anchors for Use in Concrete – Annex C: Design Methods for Anchorages*, Brussels, EOTA, 2010.

The standards related to anchor bolts

- Till the end of last century were anchor bolts designed according to experimental results summarised in design tables.
- Majority of current standards for anchorages to concrete are based on failure mode method, Concrete capacity design method, developed by prof. R. Eligehausen and his students at University of Stuttgart, see Eligehausen R., Mallée R., Silva J. F., Anchorage in concrete construction, Ernst & Sohn, 2006.
- Currently is used in Europe for design Annex C in ETAG 001:2010 Metal anchors for use in concrete, <https://www.eota.eu/en-GB/content/etags-used-as-ead/26/>.
- Prestandard prEN 1992-4 was published in 2010 and valid for three years. In 2018 is expected to be published EN 1992-4:2018, which will replace Annex C in ETAG 001.
- American and Canadian standards are nearly identical. American standard ACI 318 used to contain anchorage design in Annex D. In the version from the year 2014 is described in Ch.17. Canadian standard A23.3 contains anchorage design in Annex D.
- Australian standard SA TS 101:2015 is fully compatible with ETAG, <http://www.aefac.org.au>.